



Product training
from the series HITZE ACADEMY
Radom, 1-2 June 2017

Distribution network



Bartłomiej Pawłowski

Constructor

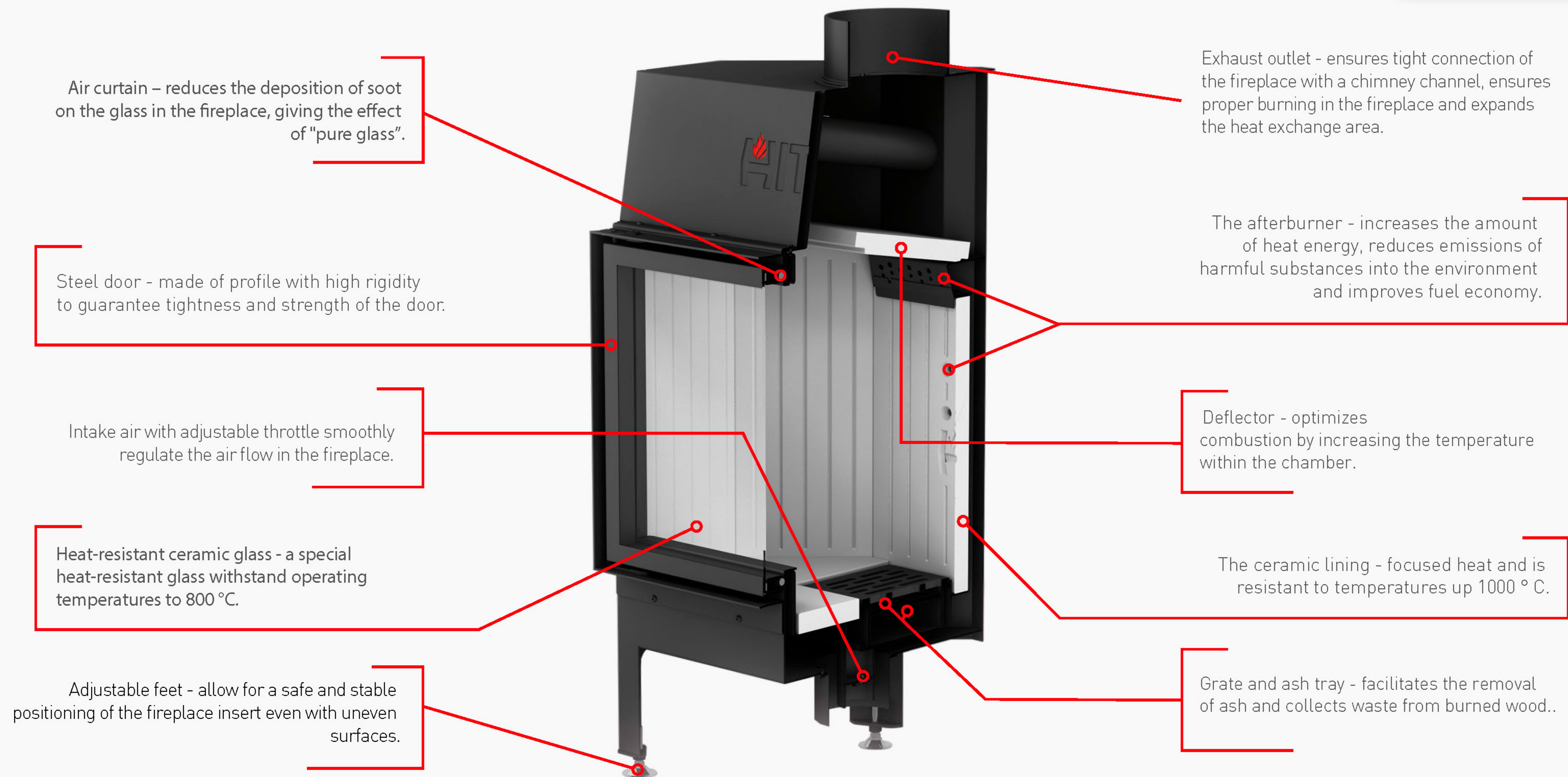
The logo for HITZE, featuring the word "HITZE" in a bold, white, sans-serif font. A small red flame icon is positioned above the letter "I".

Fireplace inserts ALBERO

HITZE
NATURAL HEATING



Convection fireplace advantages ALBERO



Air curtain – reduces the deposition of soot on the glass in the fireplace, giving the effect of "pure glass".

Steel door - made of profile with high rigidity to guarantee tightness and strength of the door.

Intake air with adjustable throttle smoothly regulate the air flow in the fireplace.

Heat-resistant ceramic glass - a special heat-resistant glass withstand operating temperatures to 800 °C.

Adjustable feet - allow for a safe and stable positioning of the fireplace insert even with uneven surfaces.

Exhaust outlet - ensures tight connection of the fireplace with a chimney channel, ensures proper burning in the fireplace and expands the heat exchange area.

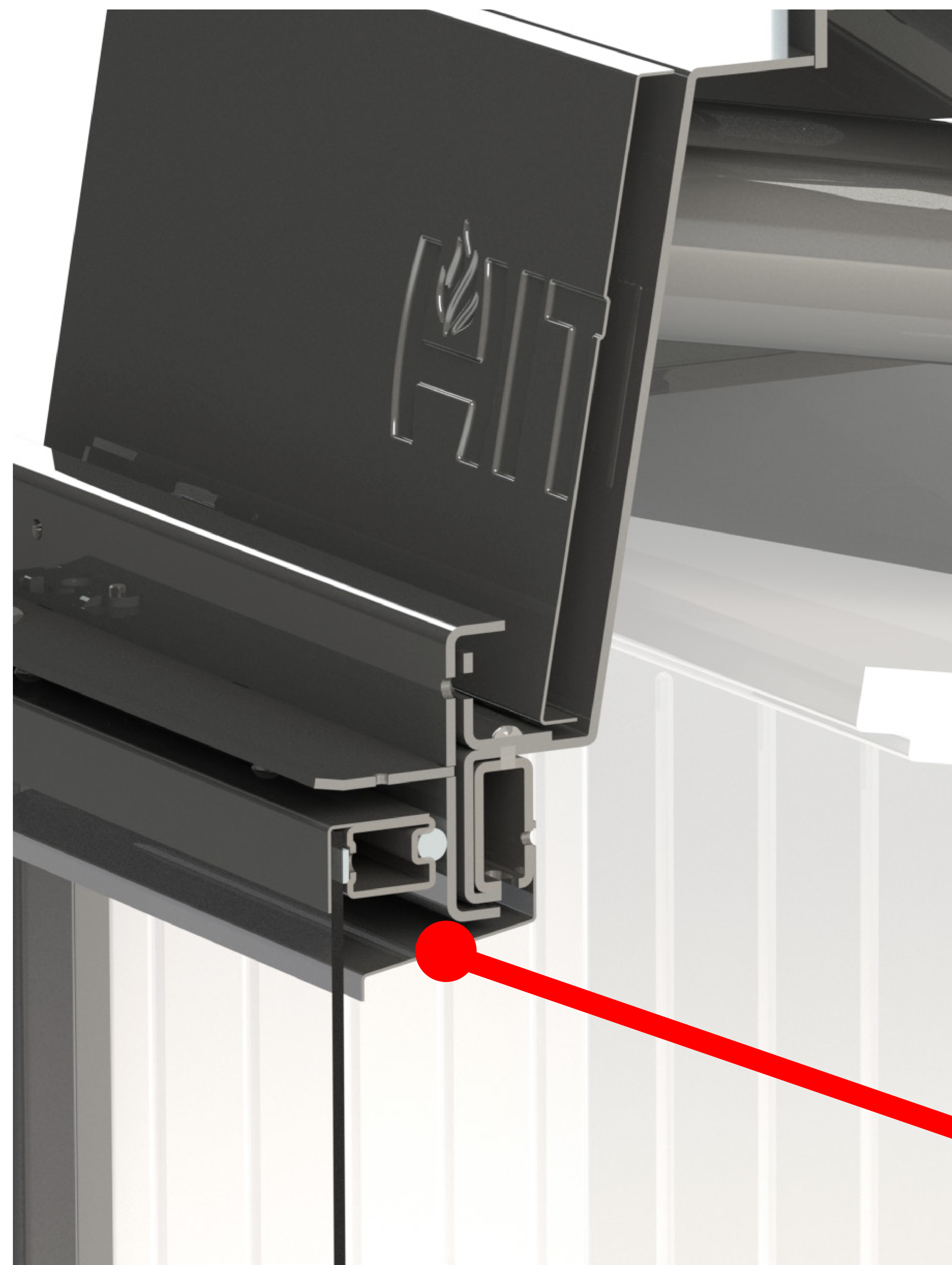
The afterburner - increases the amount of heat energy, reduces emissions of harmful substances into the environment and improves fuel economy.

Deflector - optimizes combustion by increasing the temperature within the chamber.

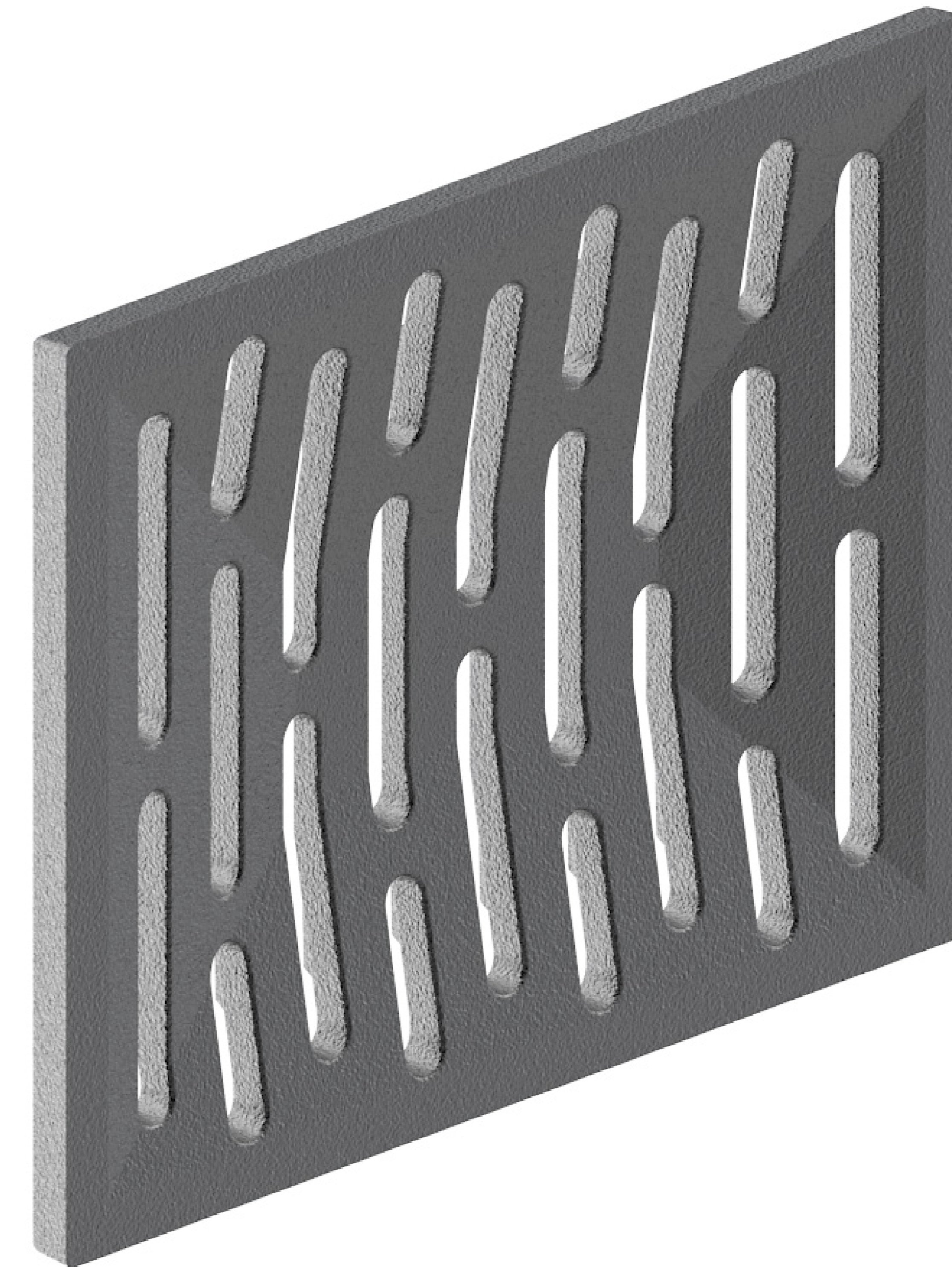
The ceramic lining - focused heat and is resistant to temperatures up 1000 °C.

Grate and ash tray - facilitates the removal of ash and collects waste from burned wood..

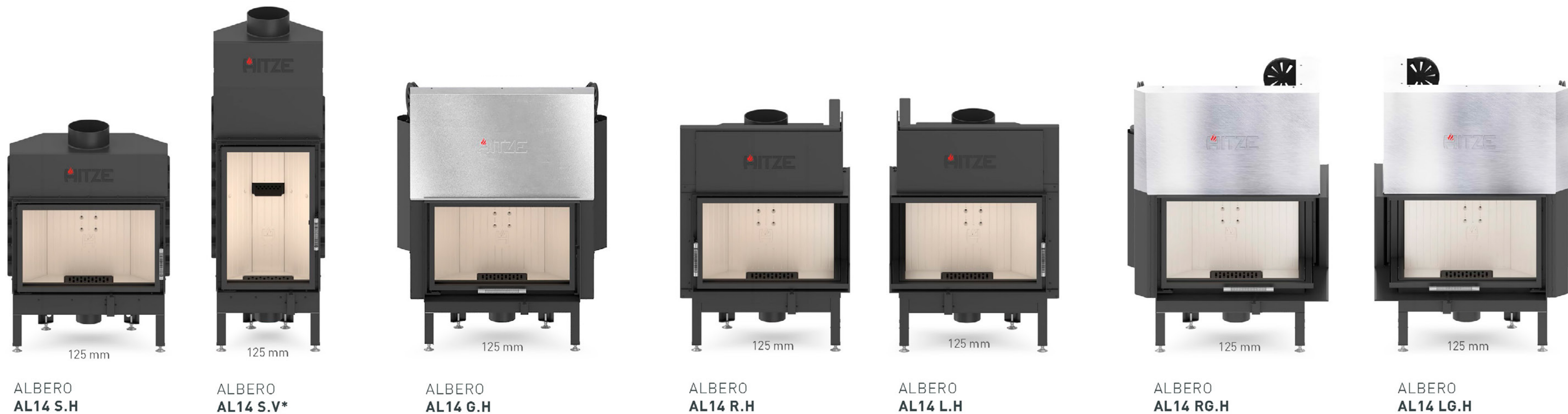
Air guide and cast iron grate



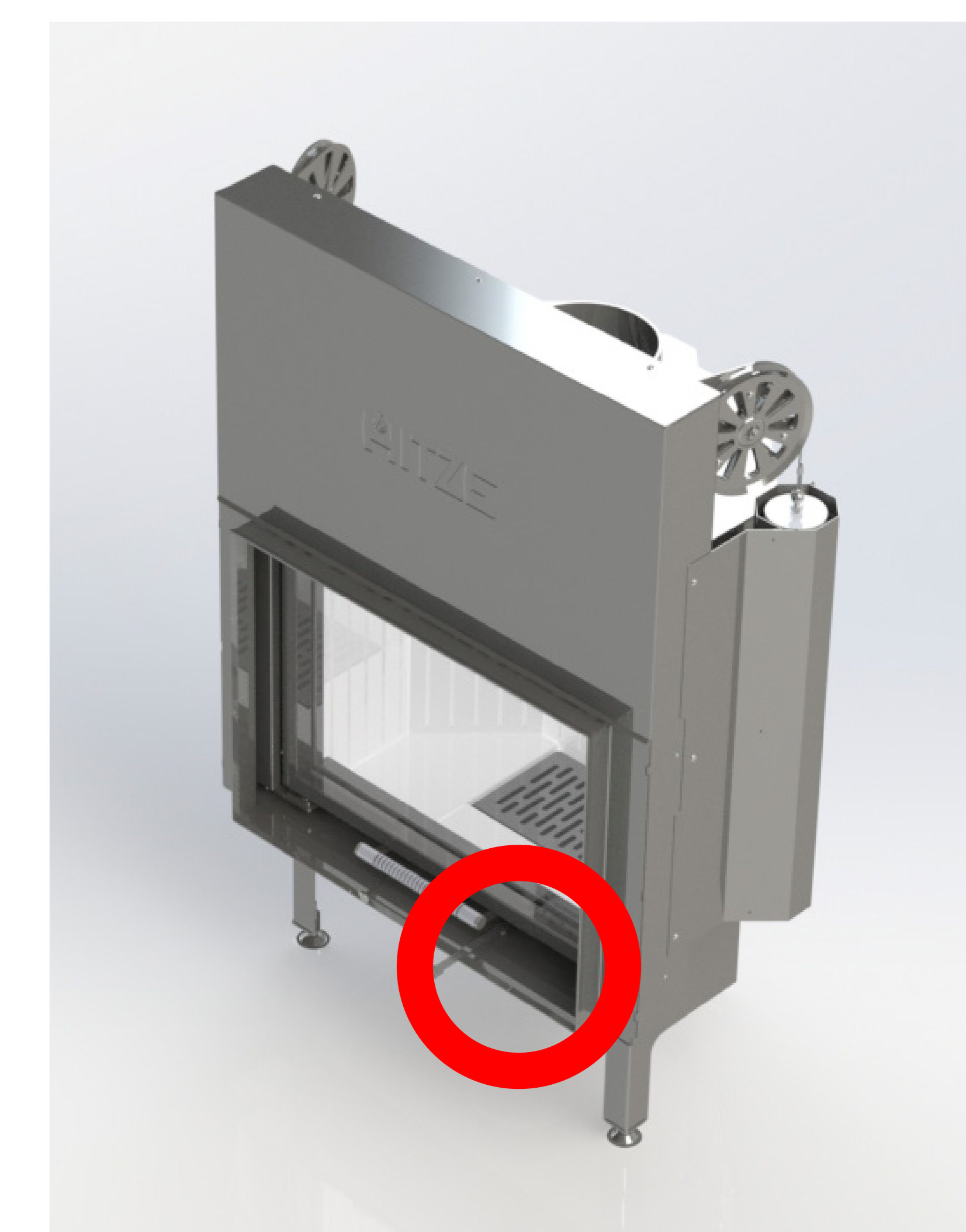
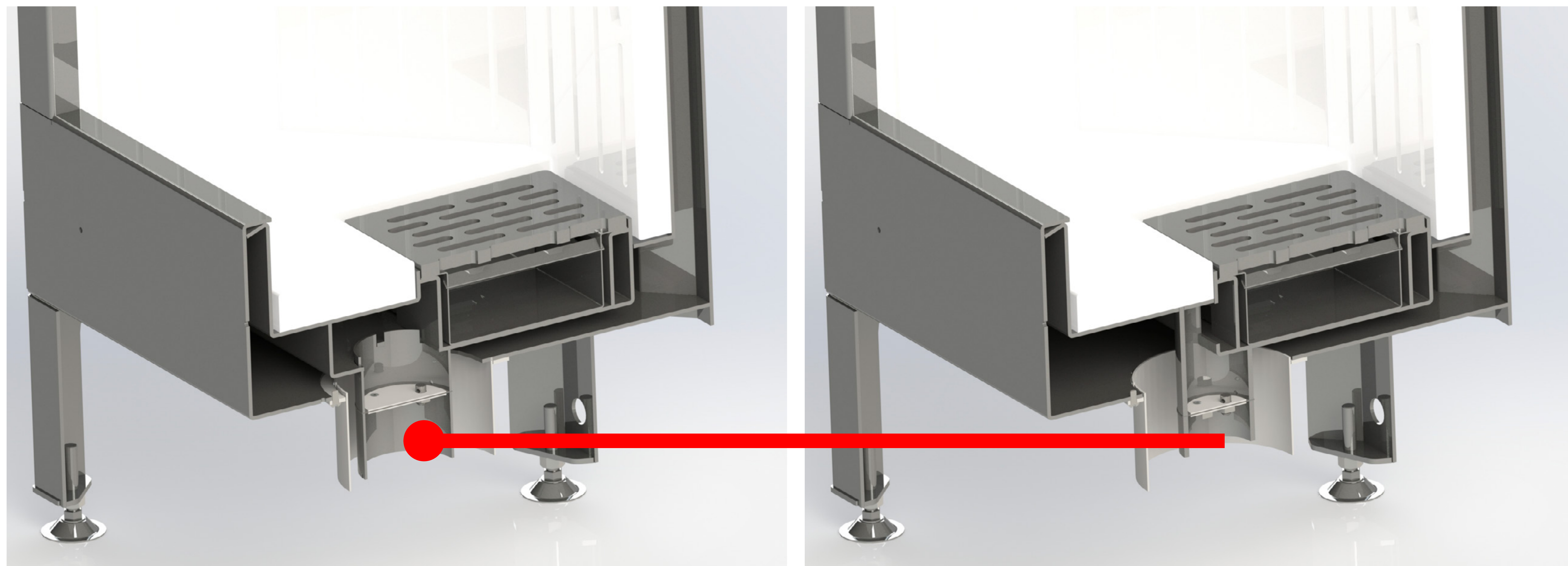
air guide



Fireplace insert heat capacity 9kW 11kW and 14kW



Improving the efficiency of burning



Fireplace insert heat capacity 16kW and 19kW



ALBERO
AL16 S.H



ALBERO
AL16 G.H



ALBERO
AL16 R.H



ALBERO
AL16 L.H



ALBERO
AL16 RG.H



ALBERO
AL16 LG.H



ALBERO
AL19 S.H



ALBERO
AL19 G.H



ALBERO
AL19 R.H



ALBERO
AL19 L.H



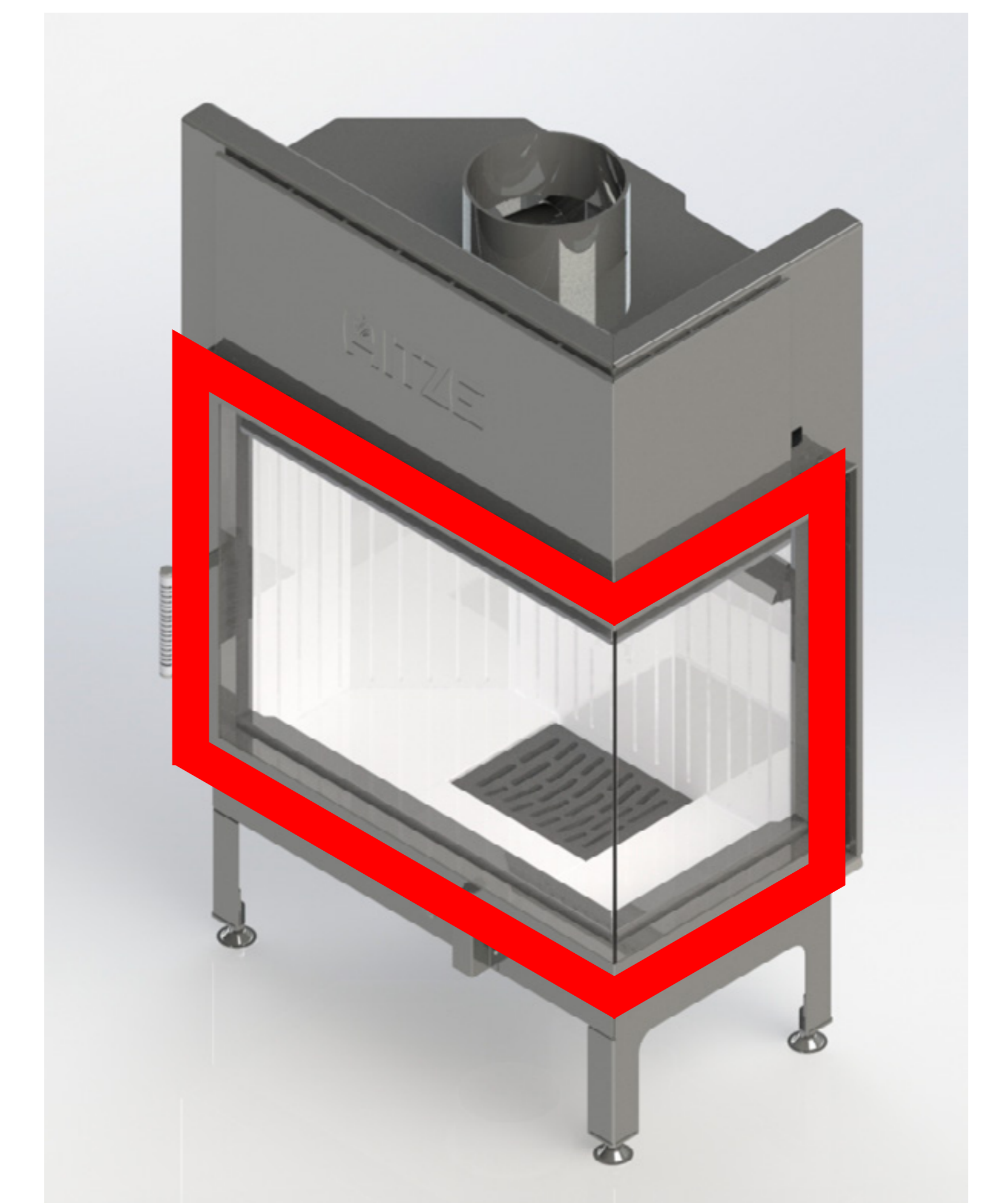
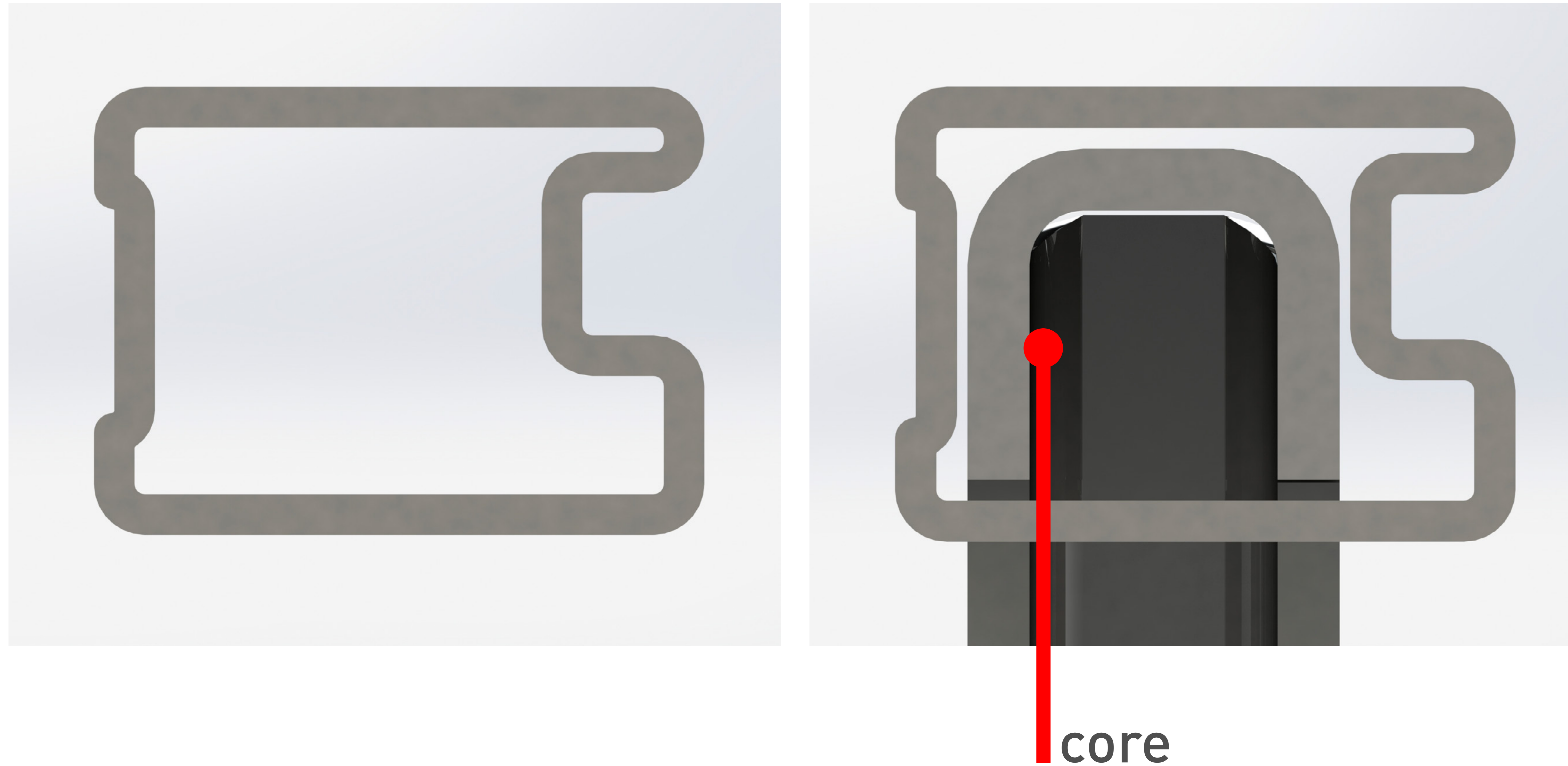
ALBERO
AL19 RG.H



ALBERO
AL19 LG.H



Increase the stiffness of the frames



Fireplace insert heat capacity 25kW



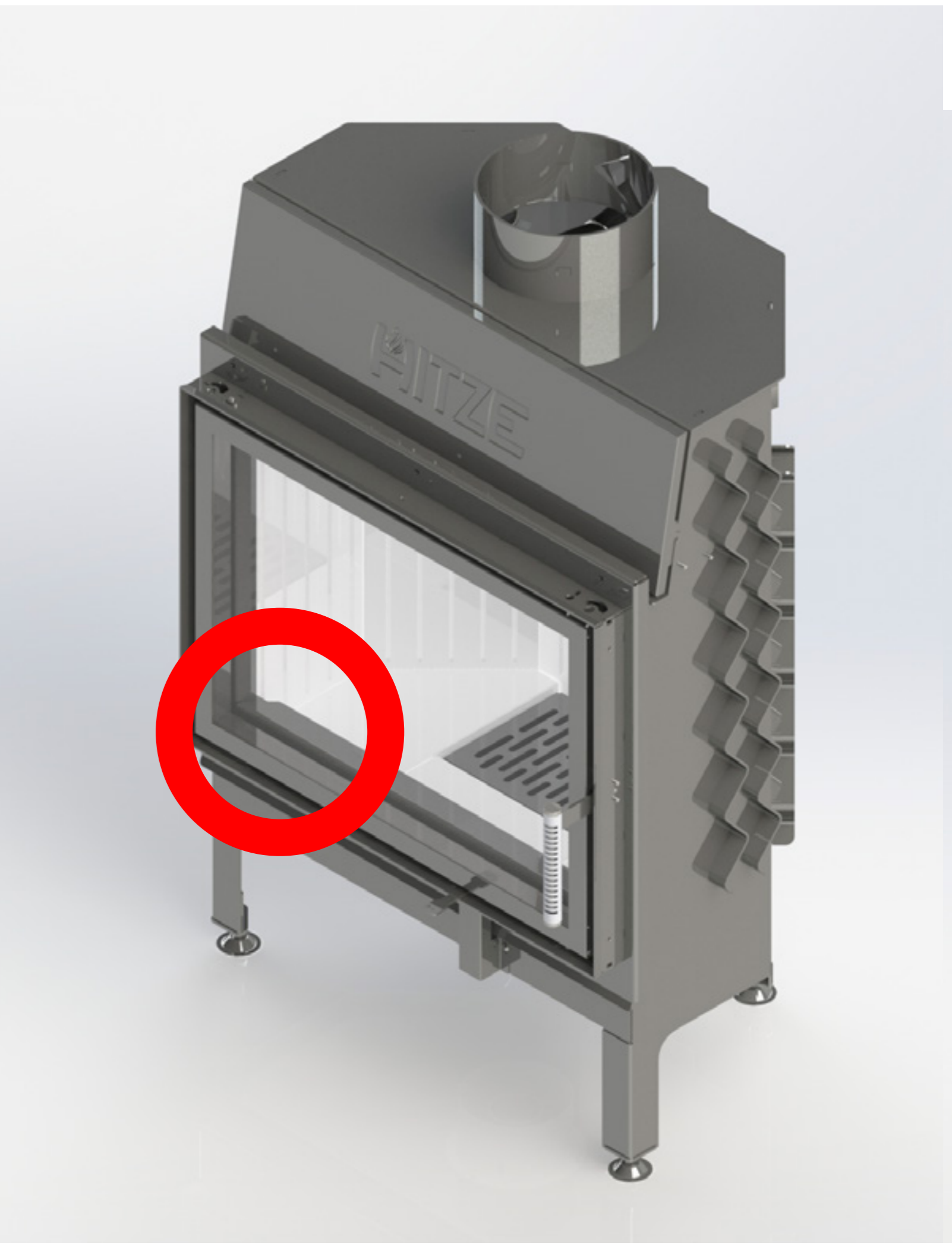
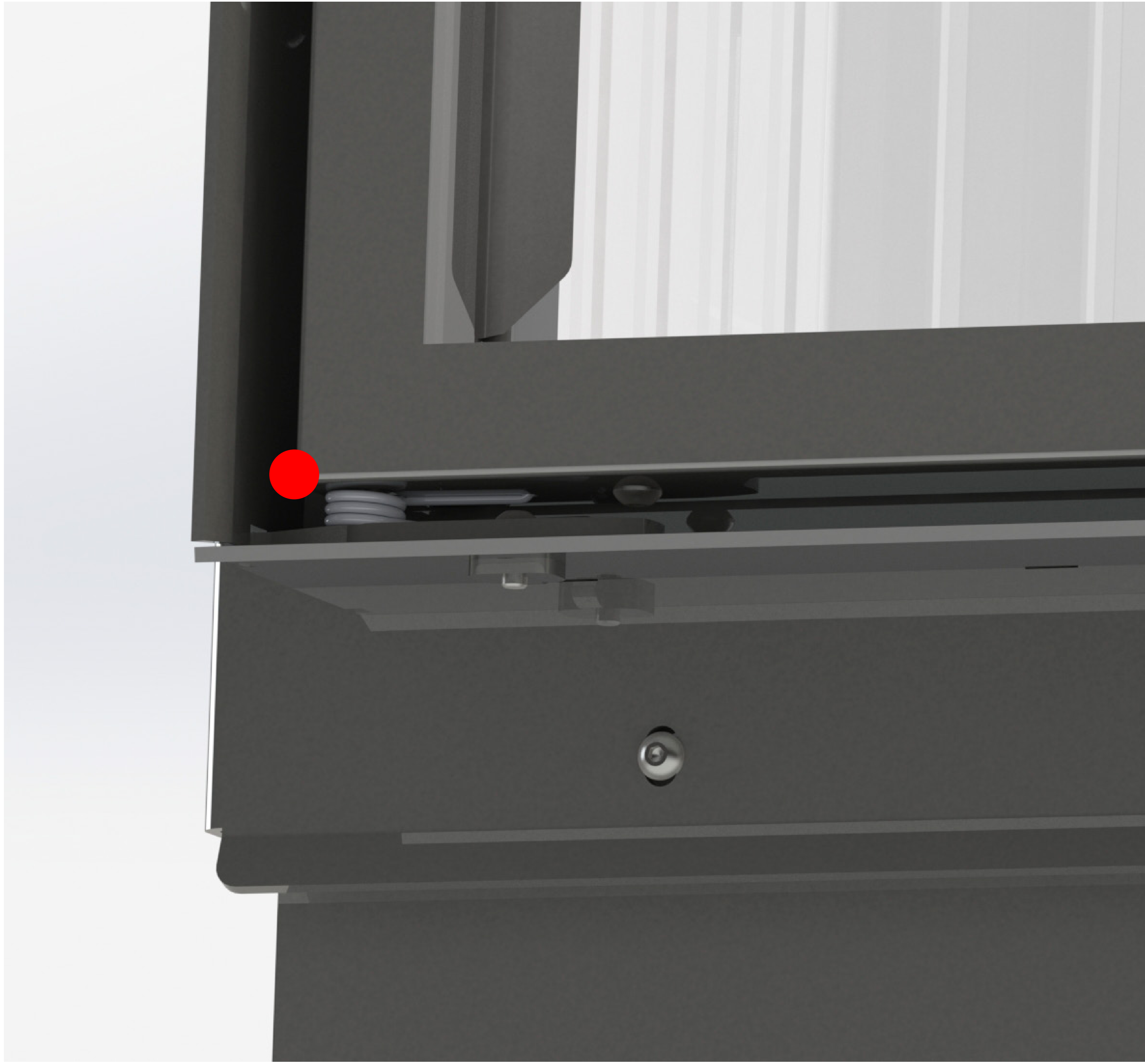
ALBERO
AL120X43 G.H



ALBERO
AL9G.H



Self-closing door



Heat exchangers



HEAT EXCHANGER
AIR
WCPP1.FI200



HEAT EXCHANGER
WATER JACKET
WCPW01.FI200



HEAT EXCHANGER
WATER JACKET WITH COIL
WCPW01W.FI200



HEAT EXCHANGER
WATER JACKET WITH PIPES
WCPW02.FI200



Fireplace inserts WITH WATER JACKET ALBERO AQUASYSTEM

HITZE
NATURAL HEATING



Fireplace inserts WITH WATER JACKET ALBERO AQUASYSTEM



AQUASYTEM - door systems and available heat powers:

AQUASYTEM 54X39 9-13 kW

AQUASYTEM 59X43 10,5-14,5 kW

AQUASYTEM 68X43 14-18 kW

AQUASYTEM 68X53 13-17 kW

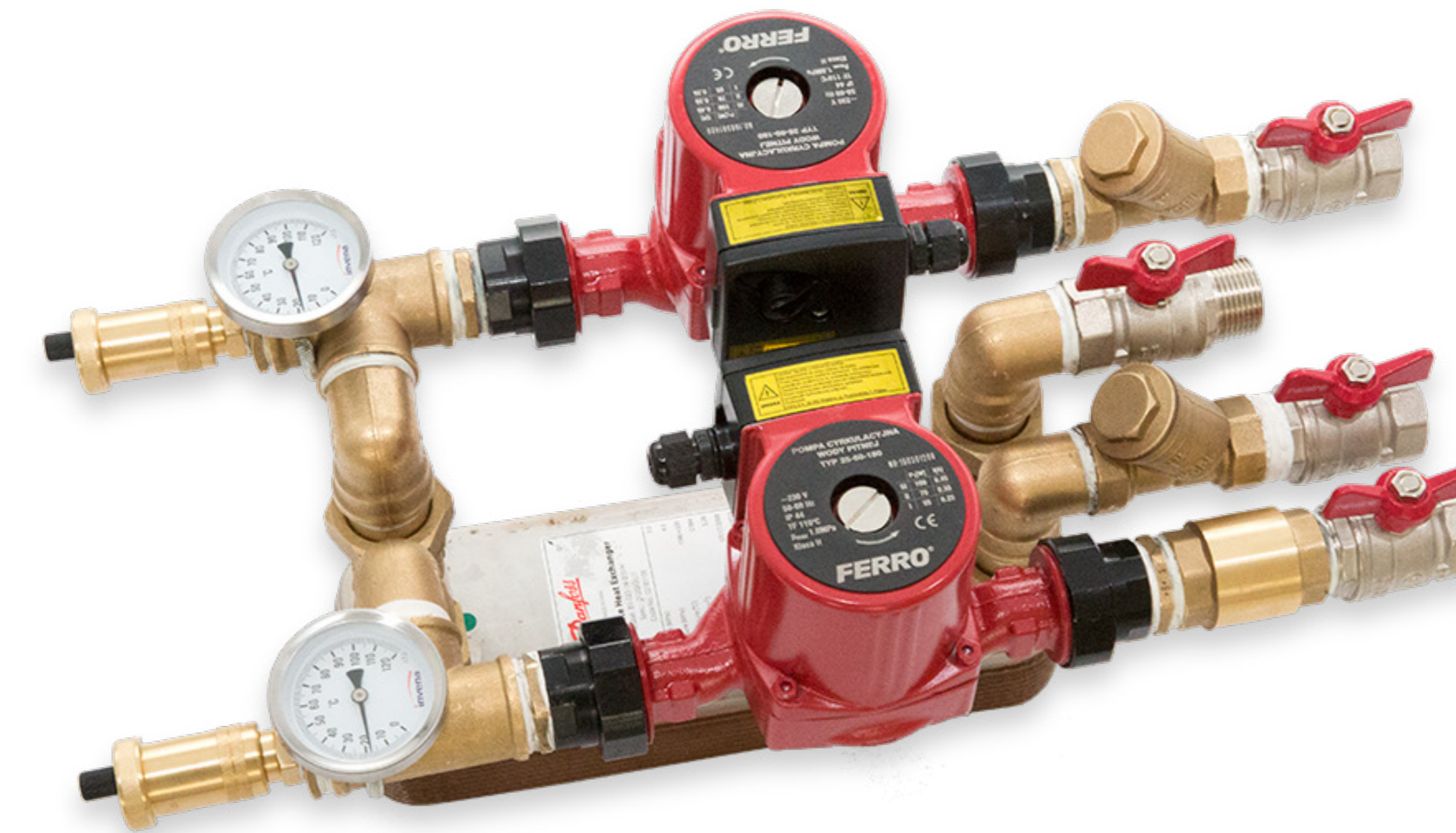
AQUASYTEM 90X41 18-22 kW



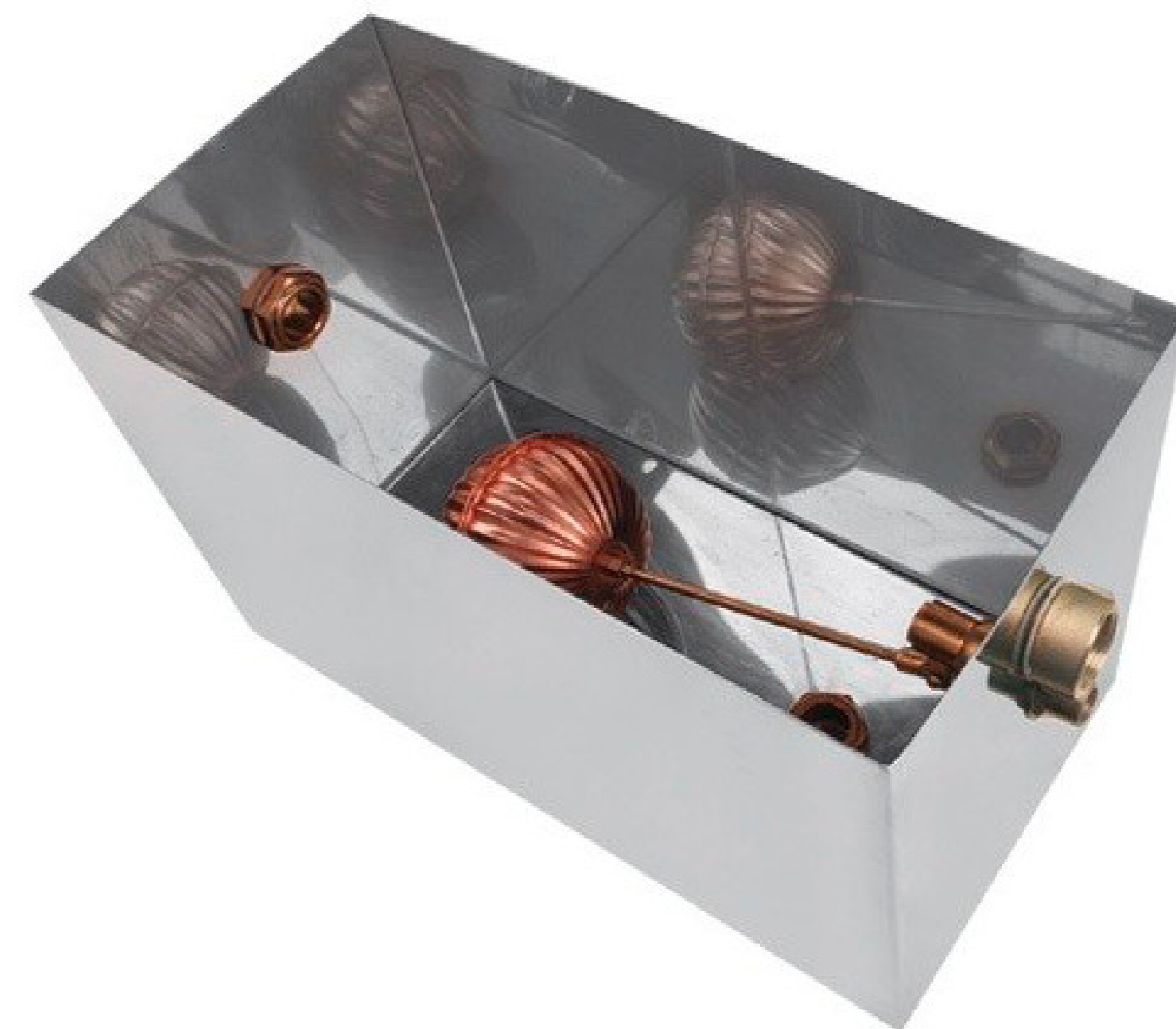
Water jacket installations elements



Plate heat exchangers
power from 18kW to 50kW



Heat Exchanger and Pump Set
power from 18kW to 50kW
diameter 3/4 „or 1”



Open Expansion Tank power
with a capacity of 15L or 20L



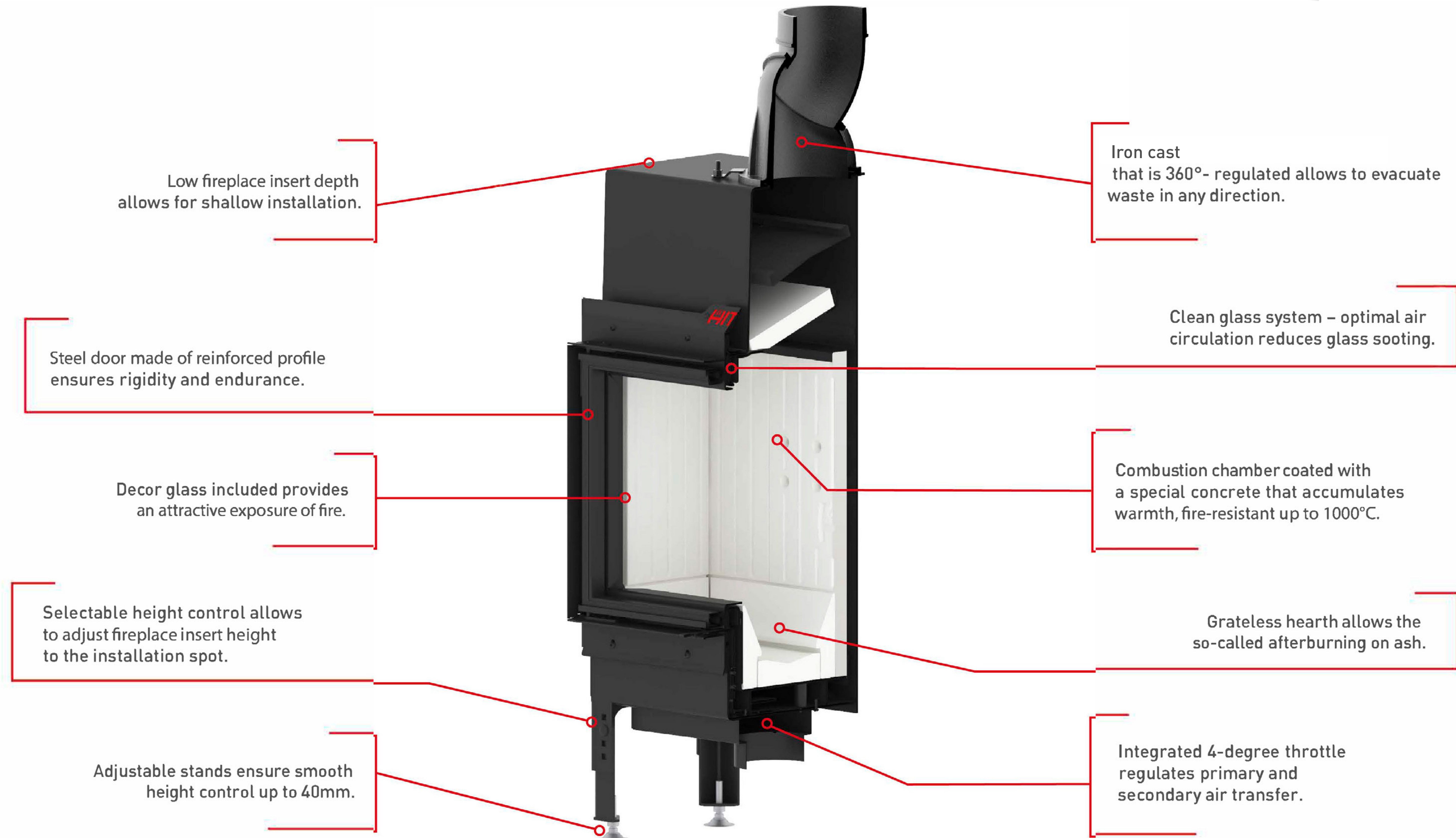
Thermal Safety Valve
Thermostatic Watts

Fireplace inserts HST

HITZE
NATURAL HEATING

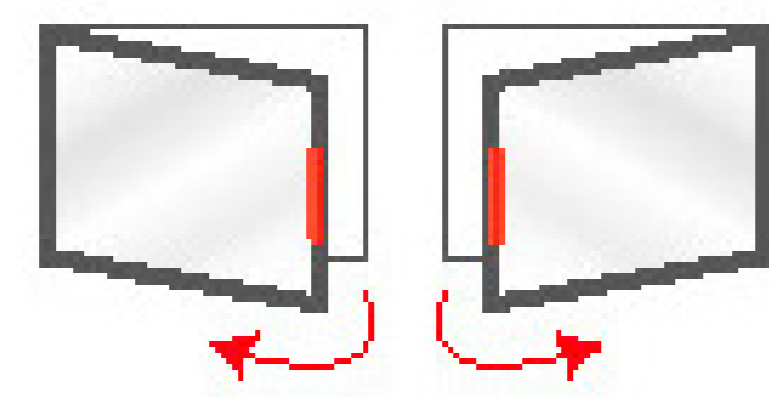


Convection fireplace advantages LINE HST



Fireplace convection line HST

Possibility of changing
the door opening
direction



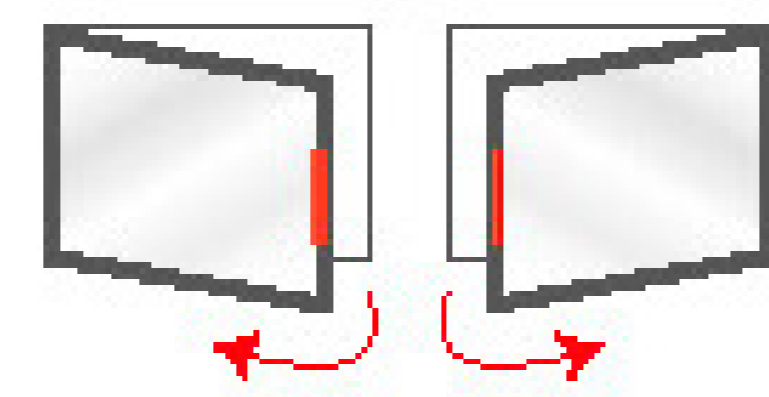
160mm



125 mm

HST **54x39.S**

Possibility of changing
the door opening
direction



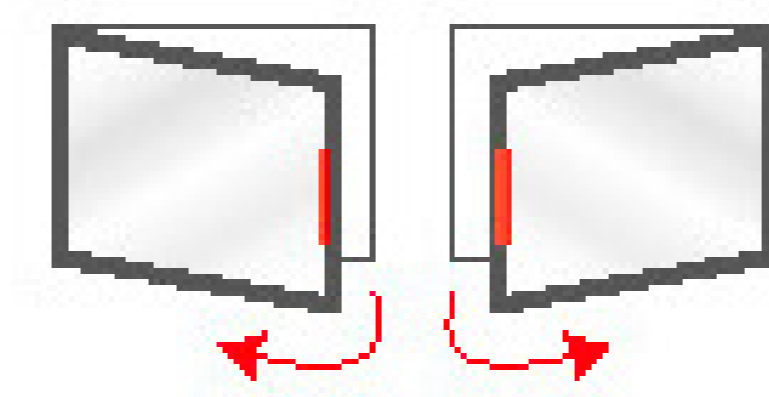
160mm



125 mm

HST **59x43.S**

Possibility of changing
the door opening
direction



160mm

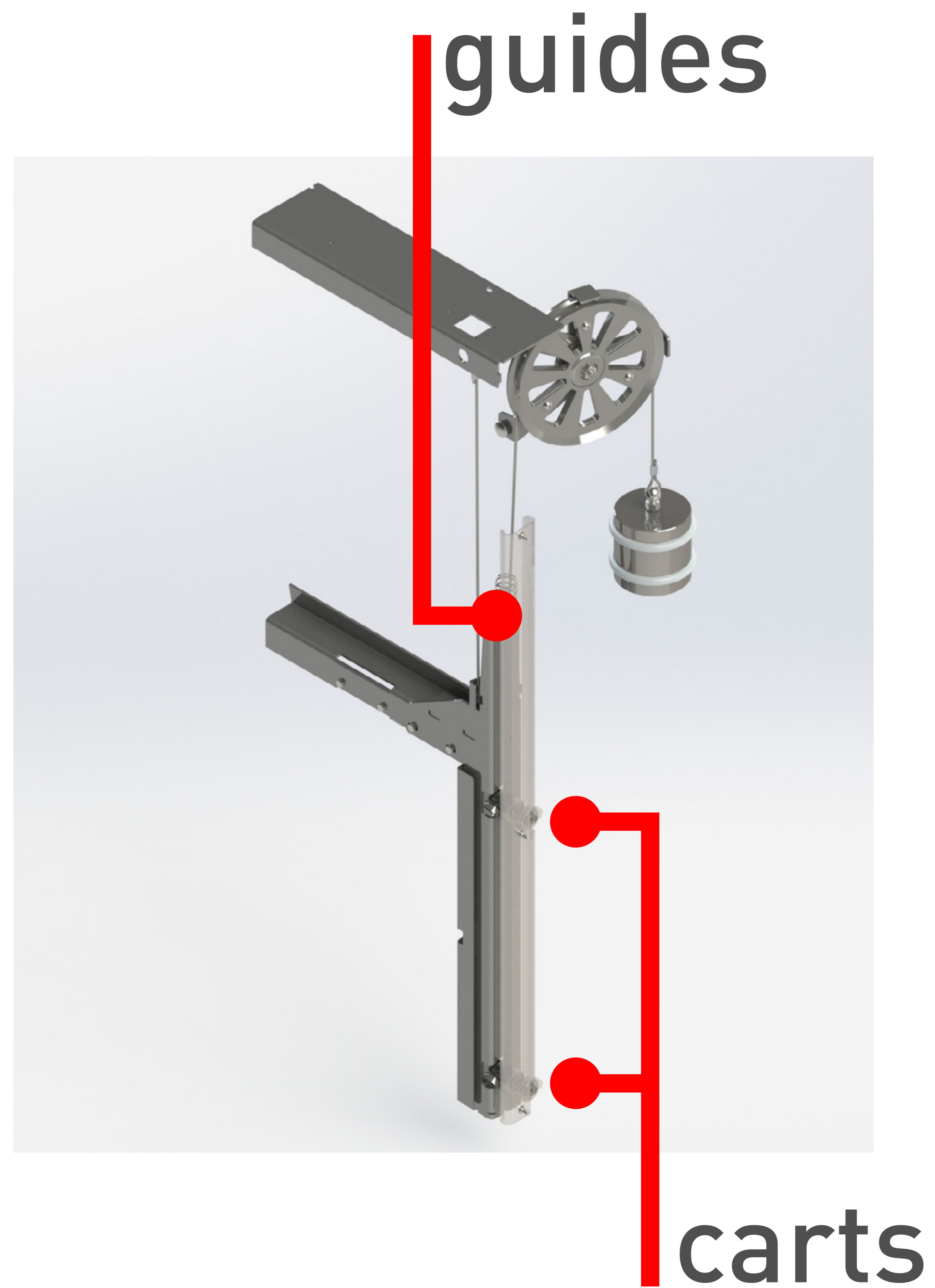
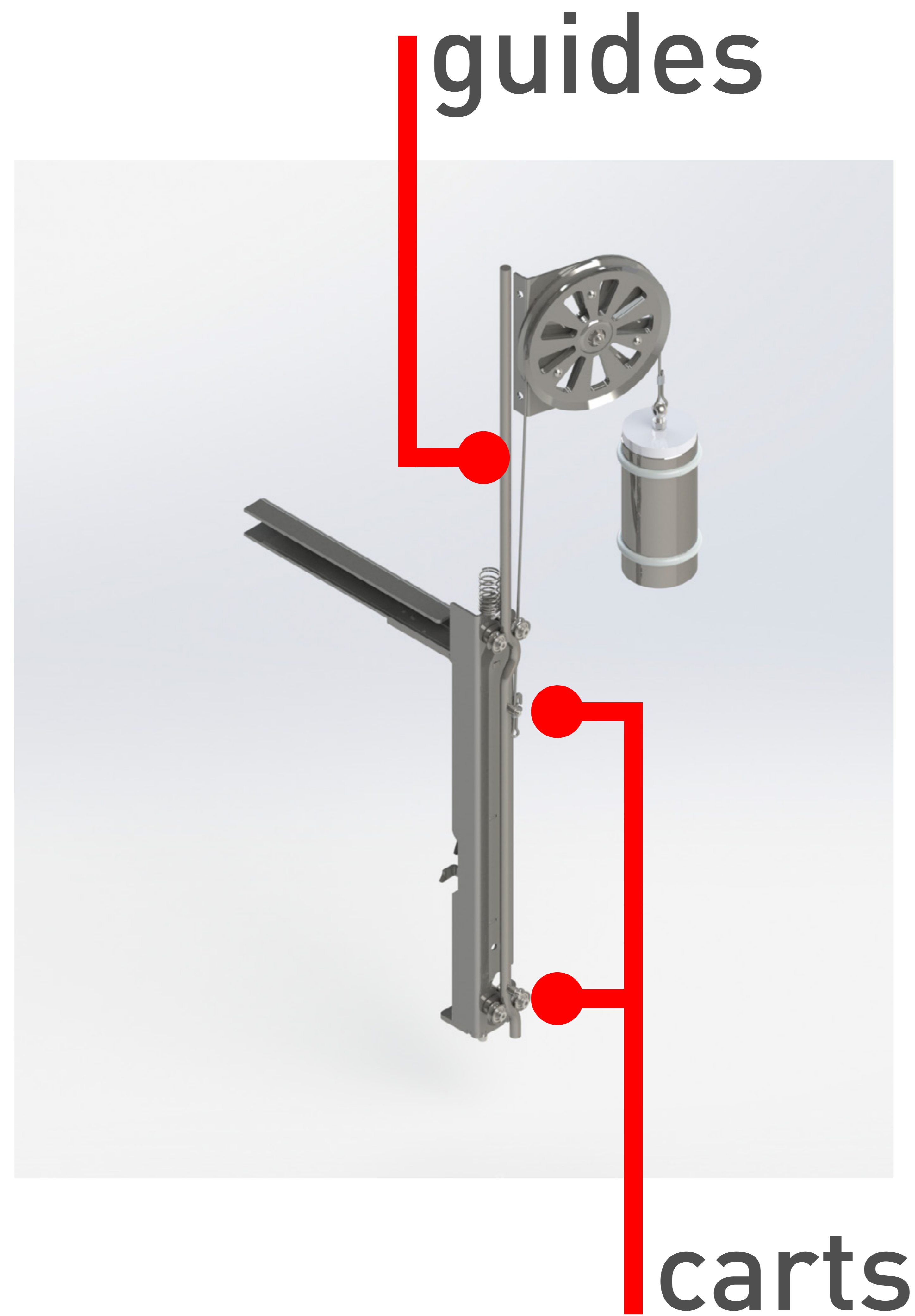


125 mm

HST **68x43.S**



New type of guillotine



Cassette CUBO



CASSETTE **CUBO 700**



CASSETTE **CUBO 800**



Ceramic glass

HITZE
NATURAL HEATING



Ceramic glass Double glass system



CORNER FIREPLACE LEFT/RIGHT

- Standard connected glass ■
- Decor connected glass ■
- Decor bent glass ■
- Standard connected glass + interior bent ■
- Decor connected glass + interior bent ■
- Decor bent + interior bent ■



STANDARD FIREPLACE

- Standard glass ■
- Decor glass ■
- Standard glass + interior standard ■
- Decor glass + interior standard ■

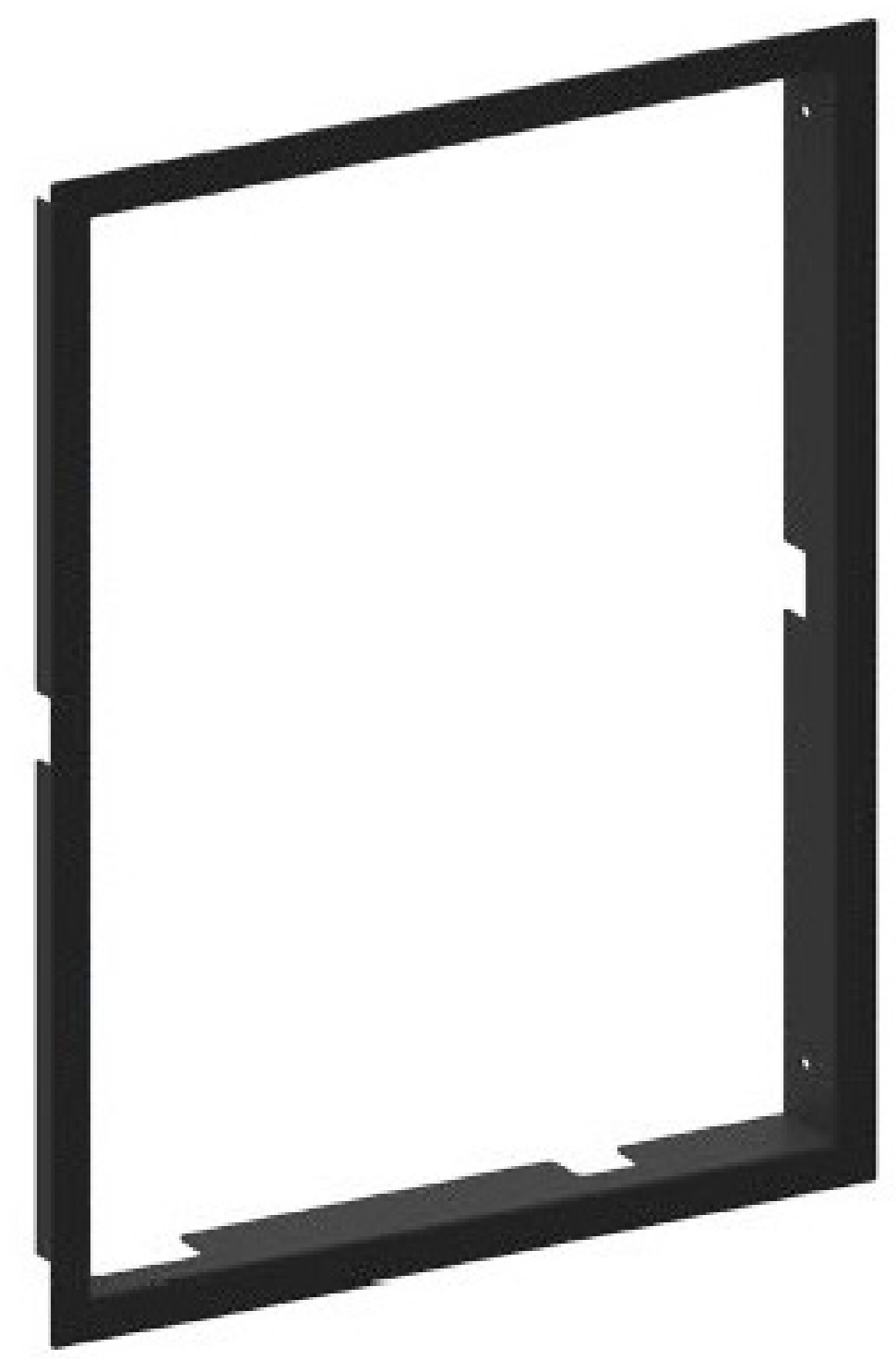
GLASS
DECOR

DOUBLE GLASS
SYSTEM



Fireplace frames

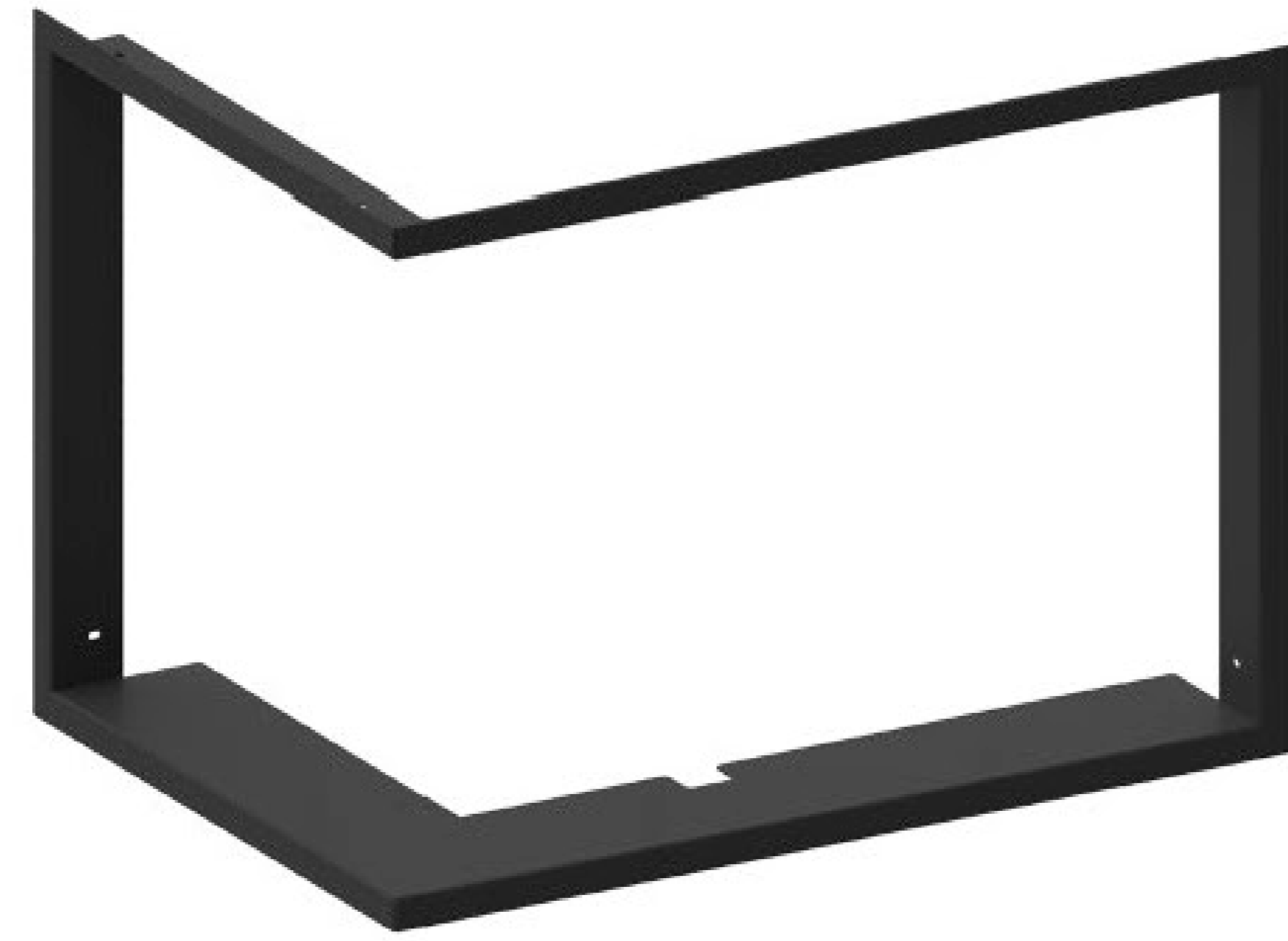
all available models



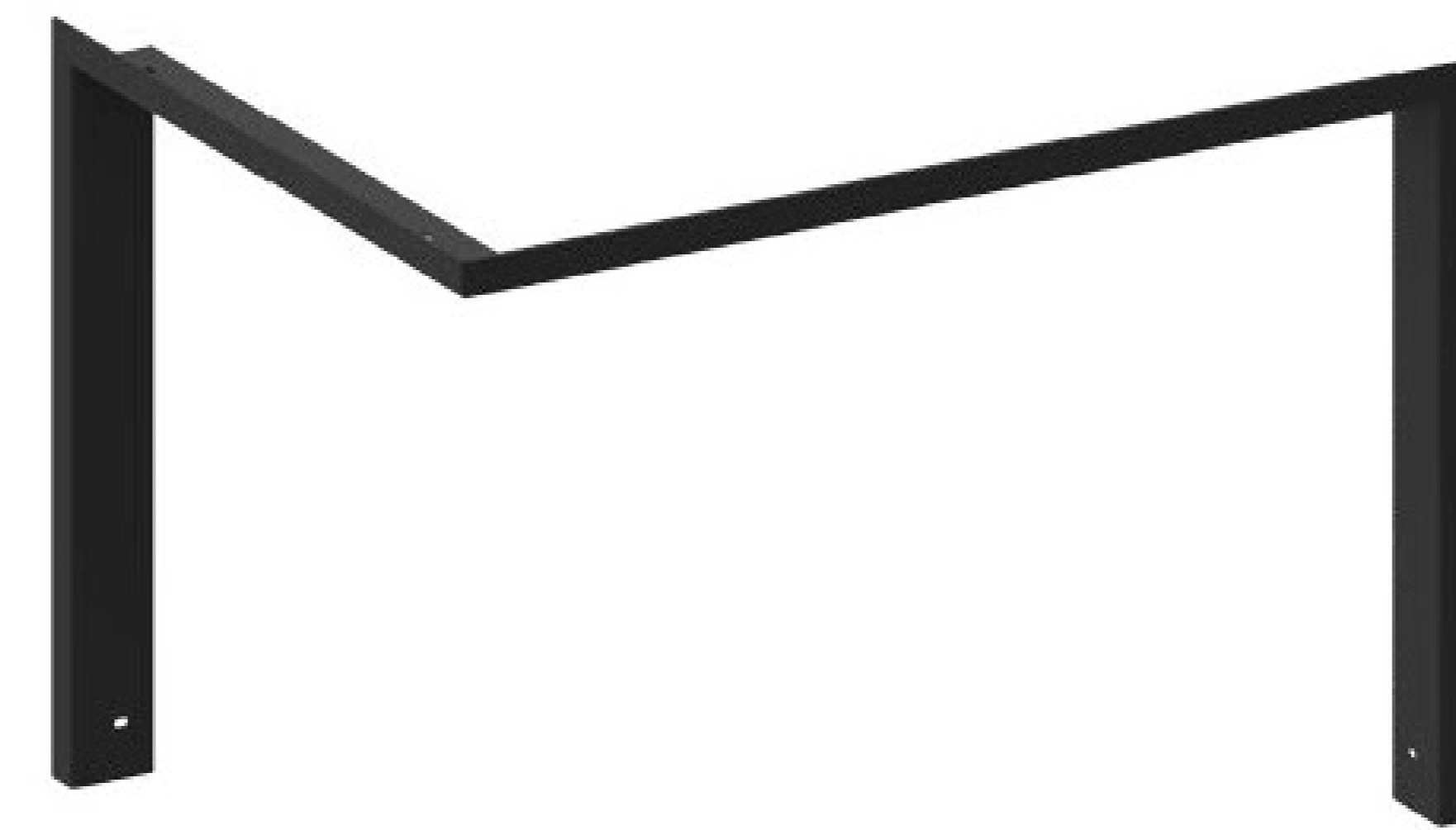
FAL.SV-M01



FAL.SH-M02



FAL.LGH-M01



FAL.LGH-M02



Portal frames

Dawid Woronowicz

Export Specialist

The logo for HITZE, featuring the word "HITZE" in a bold, white, sans-serif font. A small red flame icon is positioned above the letter "I".

BIO FIREPLACES HITZE - WHY WORTH?



- FUEL BIO-ETHANOL
- MOBILITY
- NATURAL HEAT
- DURABILITY
- ELEGANCE
- AVAIABILITY



AMBIENT

HITZE
NATURAL HEATING



IGNIS

HITZE
NATURAL HEATING



RULLO

HITZE
NATURAL HEATING



PIATTO

HITZE
NATURAL HEATING



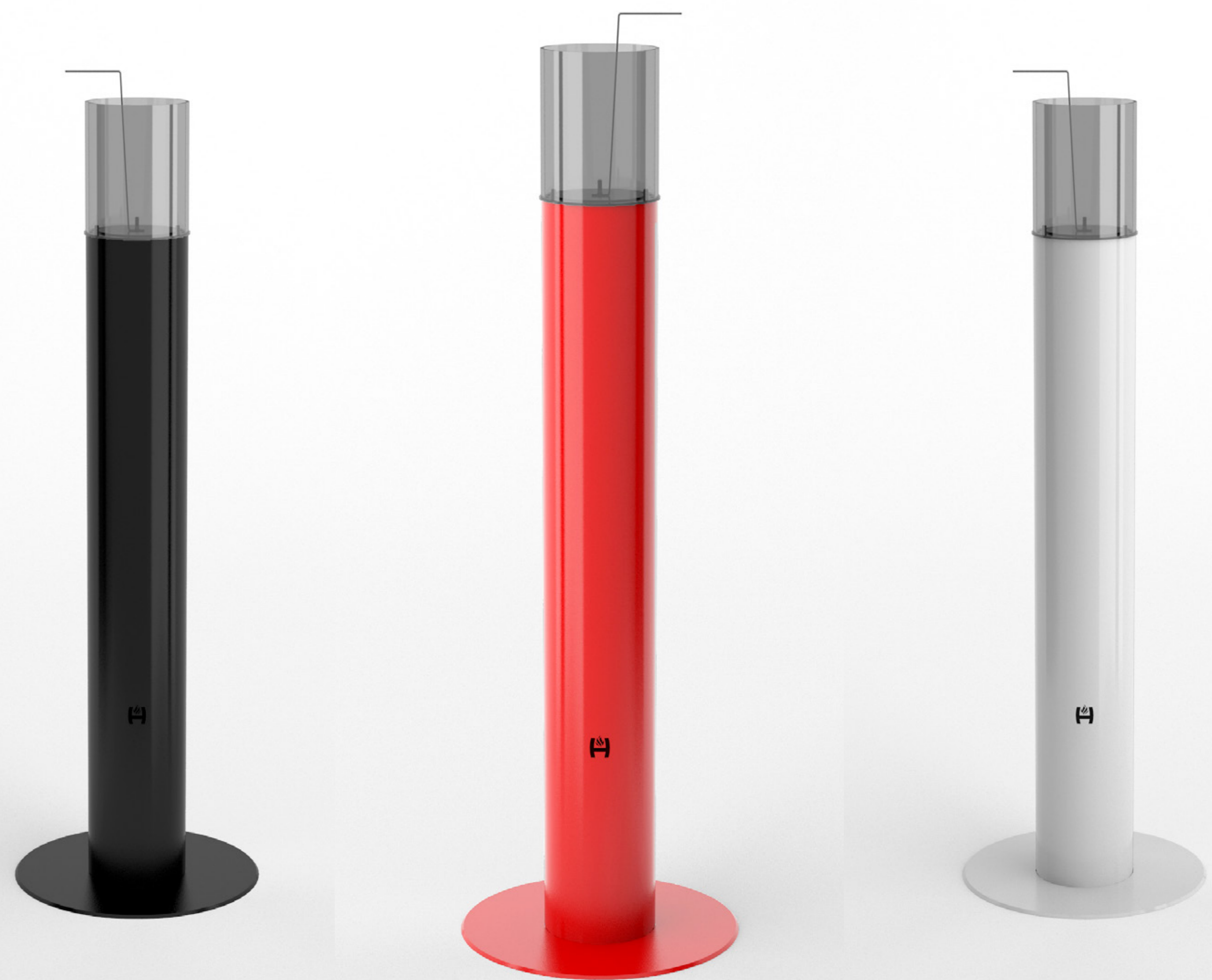
HANGING BIO TORCHES

HITZE
NATURAL HEATING



BIO TORCH IGNIS

HITZE
NATURAL HEATING



Krzysztof Szymański

Sales Director

The logo for HITZE, featuring the word "HITZE" in a bold, white, sans-serif font. A small red flame icon is positioned above the letter "I".



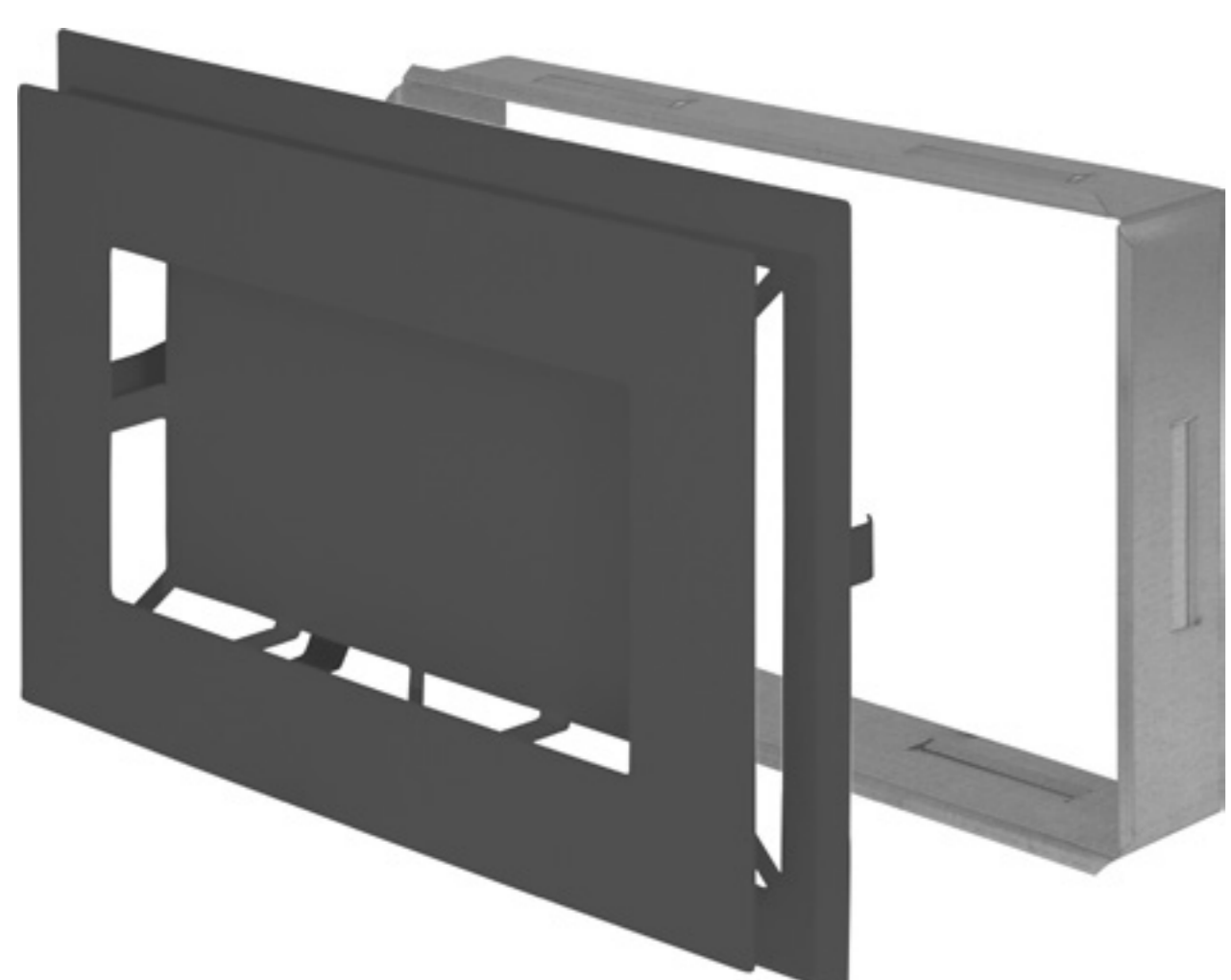
LUNA and LUPO
Free- standing stoves



GRILL GALL01, hearths HOGAR and TORRE
Garden products



SLIM and SLIM INOX
Ventilation grating luft type



DECCO
Ventilation grating



Free-standing stove LUNA

HITZE
NATURAL HEATING



Free-standing stove LUP0



- Nominal power 5-6kW
- Efficiency about 83%



Free-standing stove LUP0



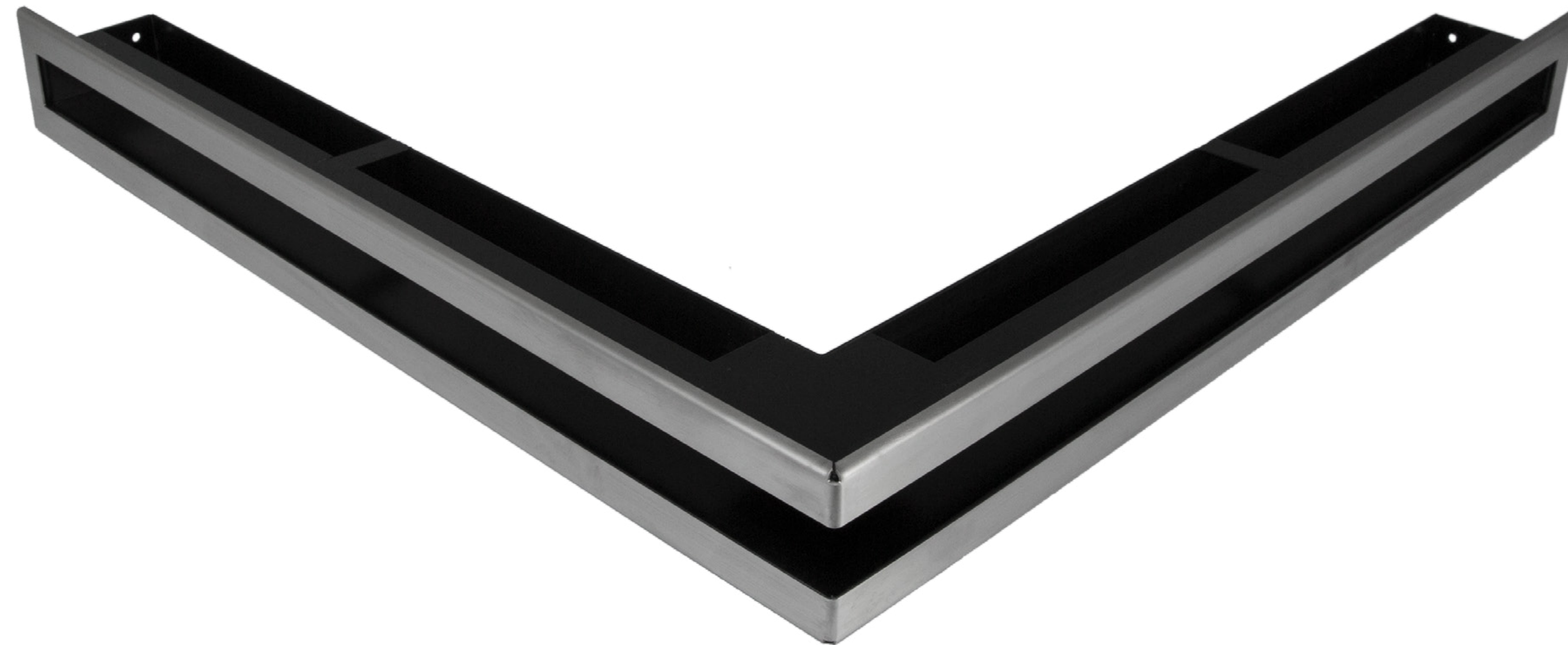
Ventilation grating SLIM

- Grating luft type
- Ventilation function – at assembly under the insert (ventilating holes faced upward)
- Exhaust function – at placement above the fireplace (ventilating holes faced downward)
- Available colors: black, white, graphite and crème
- On offer straight and angular (different sizes)



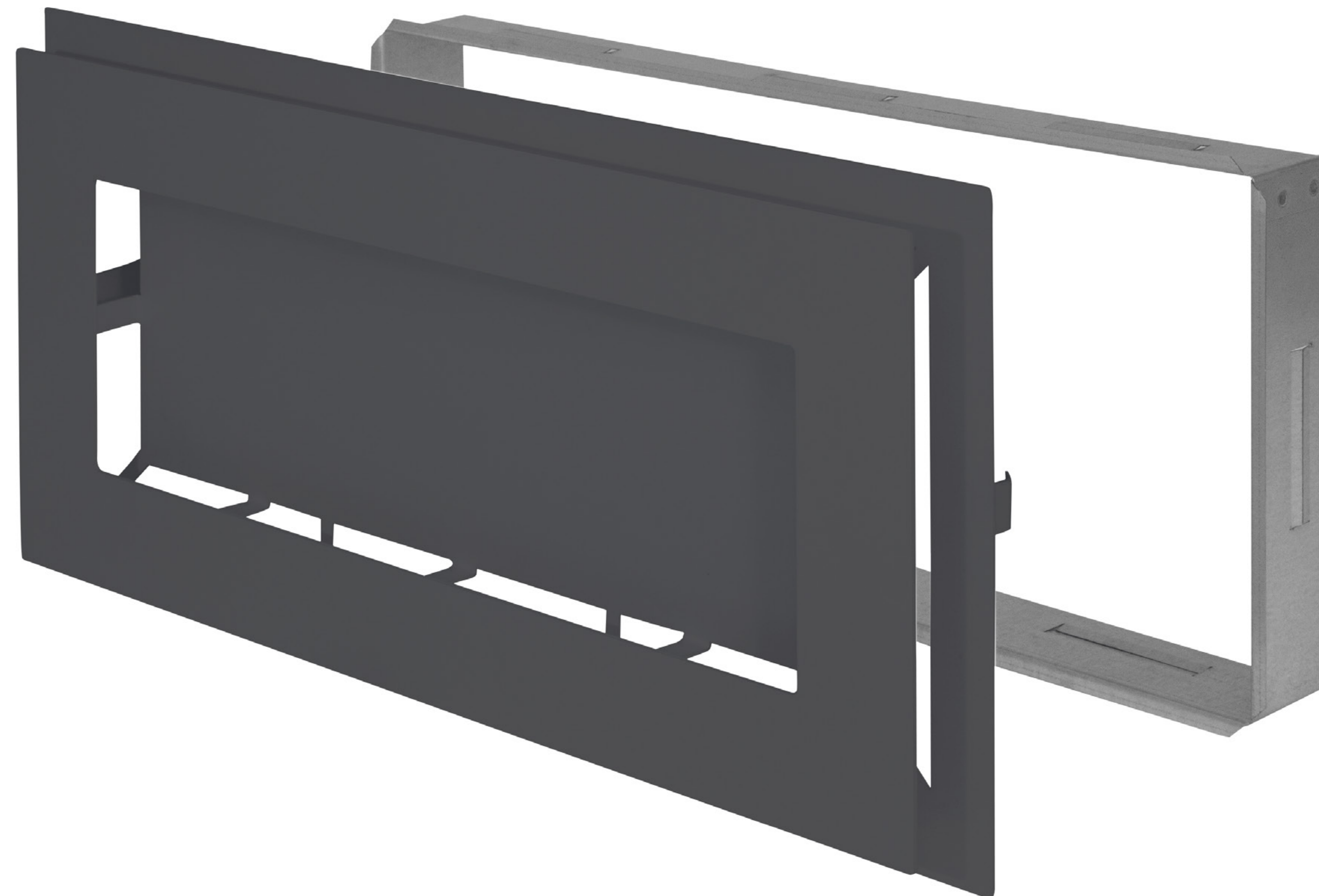
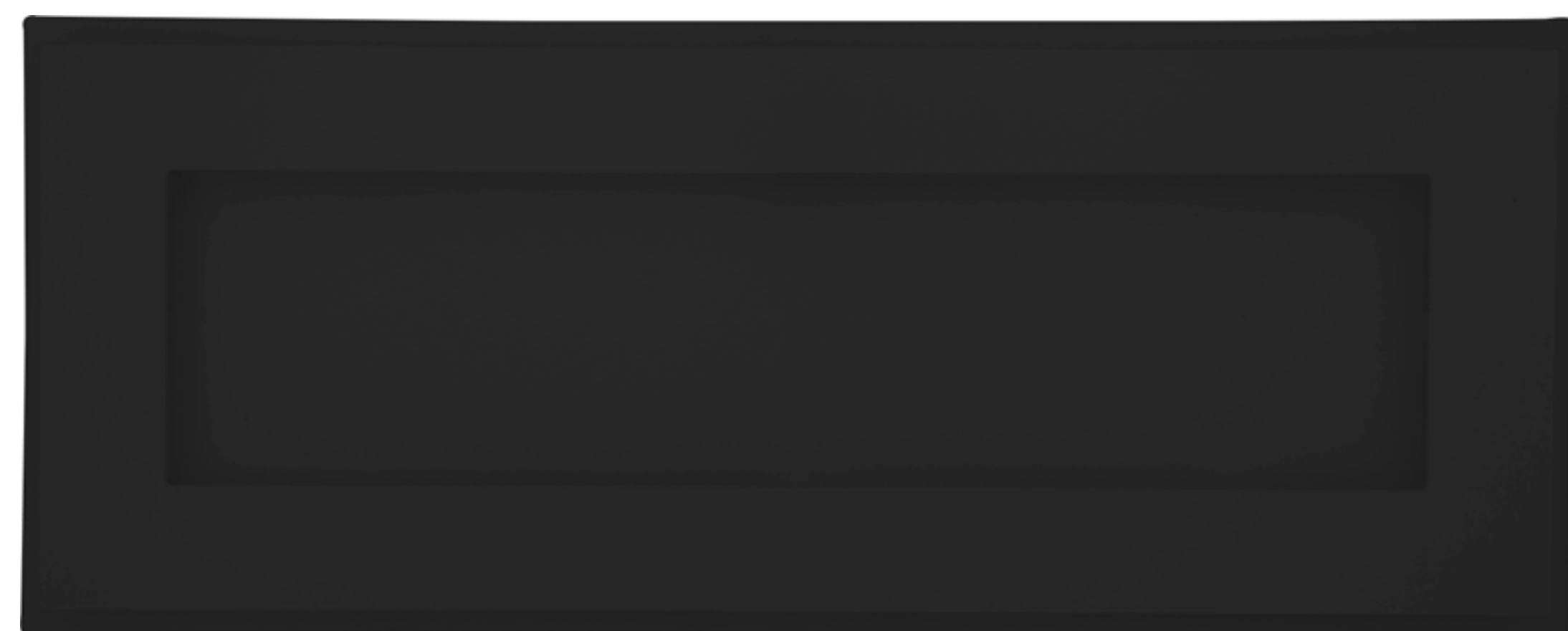
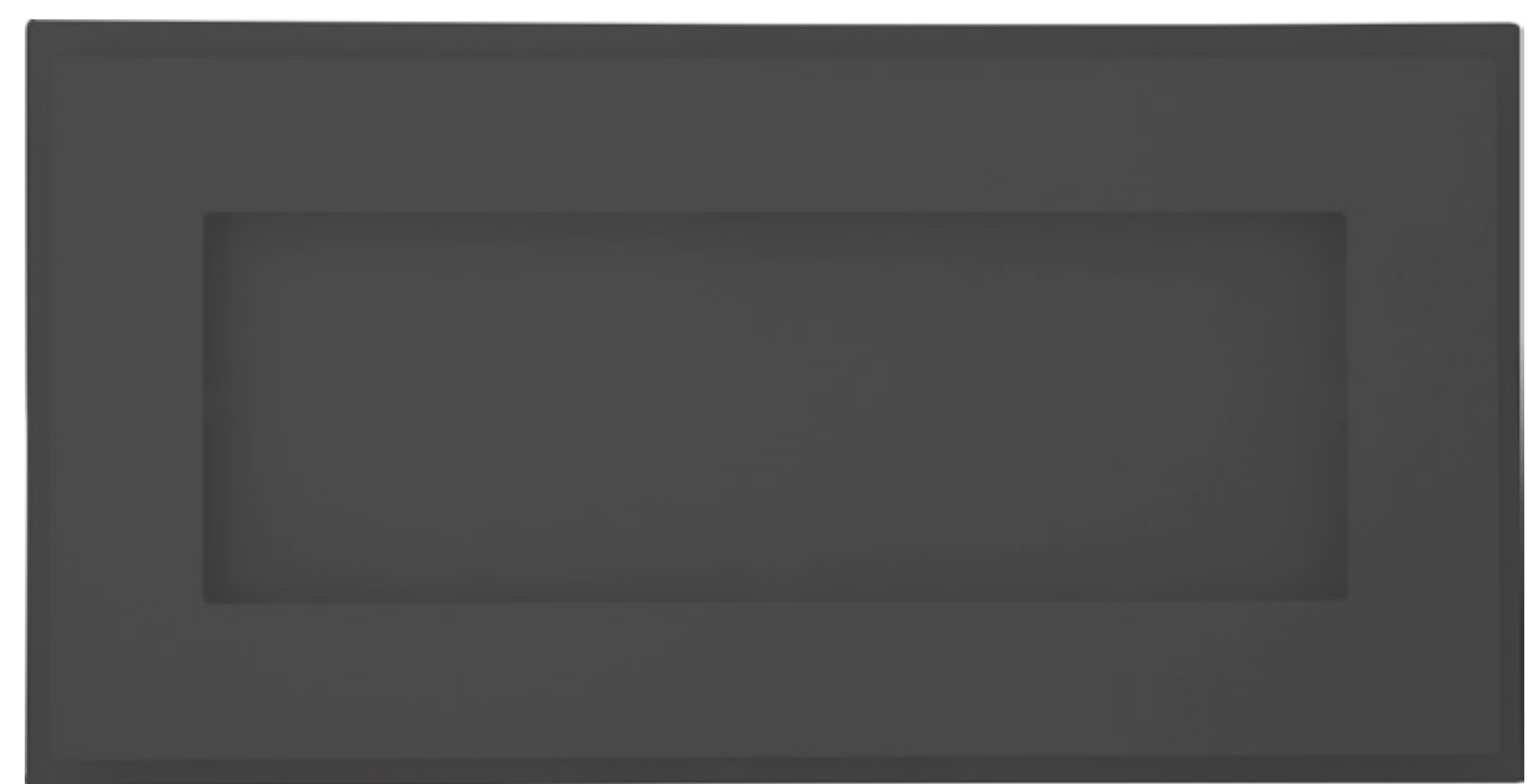
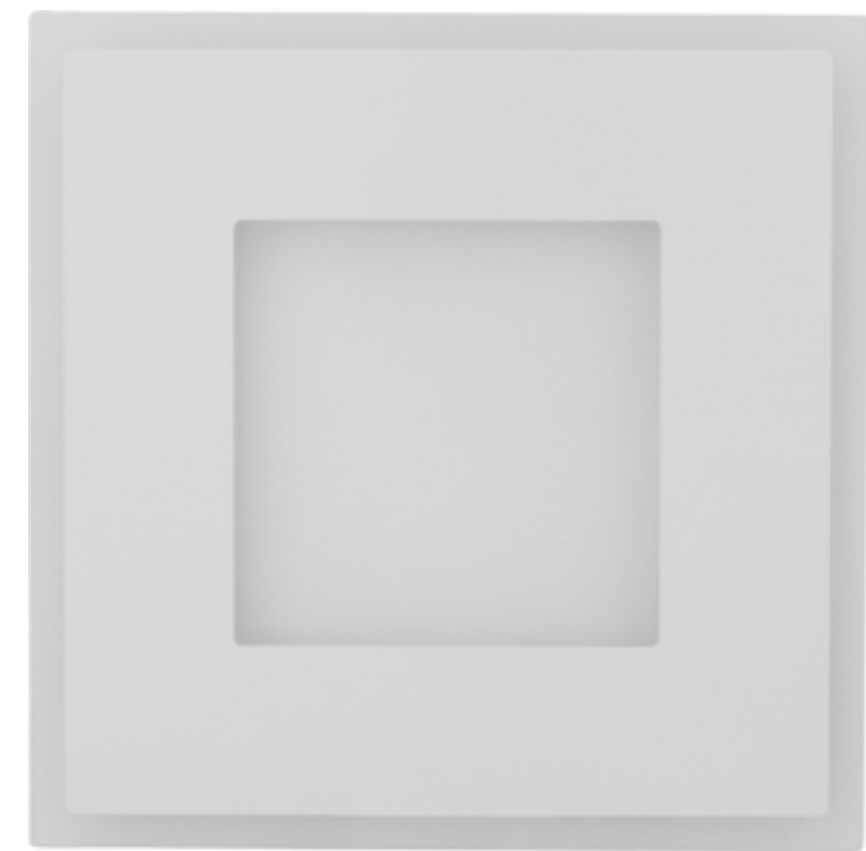
Ventilation grating SLIM INOX

- Grating luft type
- Ventilation function – at assembly under the insert (ventilating holes faced upward)
- Exhaust function – at placement above the fireplace (ventilating holes faced downward)
- Available colors: black and graphite with polished stainless steel overlay
- On offer straight and angular (different sizes)



Ventilation grating DECCO

- Modern design and high quality manufacturing
- Available colors: black, white, crème and graphite
- Mounting frame included



Grill GALL01



- Mobile
stable wheels enabling movement
- Practical
spacious main chamber
and economic side chambers
- Multifunctional
possibility of grilling,
heating and making pizza



Garden hearth HOGAR



- Alternative to traditional bonfire
- Stylish garden hearth with openwork pattern
- Eye catching thanks to original look and elegant careful furnish



Garden fireplace TORRE



- Heats and gives place original character
- Decorative and usable function
- Makes spring, summer and autumn evenings more attractive



Daniel Grzywna

Installations with imagination



OUR MAIN GROUPS OF PRODUCTS

Chimney systems



Ventilation systems



Thermal insulation systems
Mechanical ventilation systems
(Recuperation)



Chimney systems

Single-walled chimney system made of acid-proof or heat-resistant steel - circle

Single-walled chimney system made of acid-proof or heat-resistant steel - oval

Double walled flue system made of acid-proof or heat-resistant steel

Single-walled TURBO I chimney system (with gaskets) - Condensing boilers and working in overpressure

Double walled TURBO II chimney system (with gaskets) - Condensing boilers and working in overpressure

Black metal chimney connections - for fireplaces and appliances for solid fuels

Connections to pellet heating appliances



Chimney systems

Single-walled chimney system made of acid-resistant

CIRCLE AND OVAL ACCID RESISTANT (KOMIN-MAX system)

Single-walled acid-resistant chimney systems are designed for draining flue gases from gas or fuel oil. They are made of acid-proof sheet 1.4404 with a thickness of 0.6; 0.8; 1.0 [mm].



Please note that according to the regulations in force, every chimney, chimney or chimney connection should be received by a qualified chimney company!



Chimney systems

Single-walled chimney system made of heat-resistant steel

- **CIRCLE AND OVAL HEAT RESISTANT (system KOMIN-MAX)**

Single-walled heat-resistant chimneys are designed for exhausting wood or ecological solid fuels. They are made of 1.4828 heat-resistant sheet with a thickness of 1.0 [mm].



Please note that according to the regulations in force, every chimney, chimney or chimney connection should be received by a qualified chimney company!



CHIMNEY SYSTEMS

Chimney connections black steel 2mm

- CIRCUL (system SPOK)
- OVAL (system SPOW)

Metal connection systems made of black sheet are made of steel sheets DC01 with a thickness of 2,0 [mm]. They are used as connections for flue gases from fireplaces and any solid fuel heating equipment. These systems are used where no condensate is produced during combustion (wood and solid fuels).



Please note that according to the regulations in force, every chimney, chimney or chimney connection must be received by a chimney sweep.



CHIMNEY SYSTEMS

Chimney connections for pellet stoves 1,2 MM

Metal connection systems made of cold rolled steel sheet are made of steel sheet DC01 with a thickness of 1.2 [mm]. They are used as flue gas connection points for pellet fueled heating appliances. All elements that make up the system have grooves for the silicone gasket.



Please note that according to the regulations in force, every chimney, chimney or chimney connection must be received by a chimney sweep.



CHIMNEY COVERS

Rotating Chimney Cowl

Adjustable Chimney Cowl

- **Permanently Chimney Cowl**
- **Basis for Chimney Cowl**



HITZE