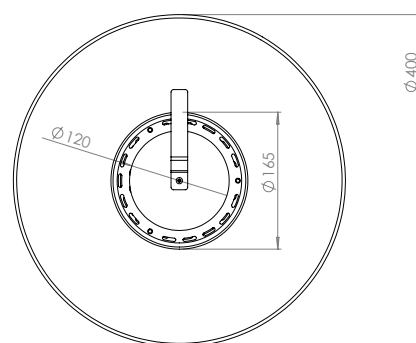
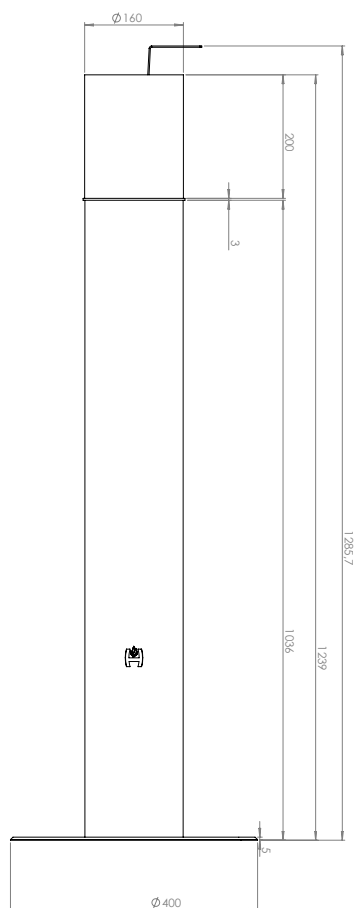


PRODUCT INFORMATION

- Smoke and soot free
- No chimney connection needed
- Emits soft light and heat
- Biocontainer and saver included
- Available in three sizes: small, medium and standard

BIOTORCH IGNIS BS-04

Type	freestanding
Material	powder coated steel
Fire cover material	ceramic glass
Hight	1239 mm
Diameter	160 mm
Weight	14,5 kg
Biocontainer capacity	1,2 l
Burning time	3 h
Fuel	bioethanol



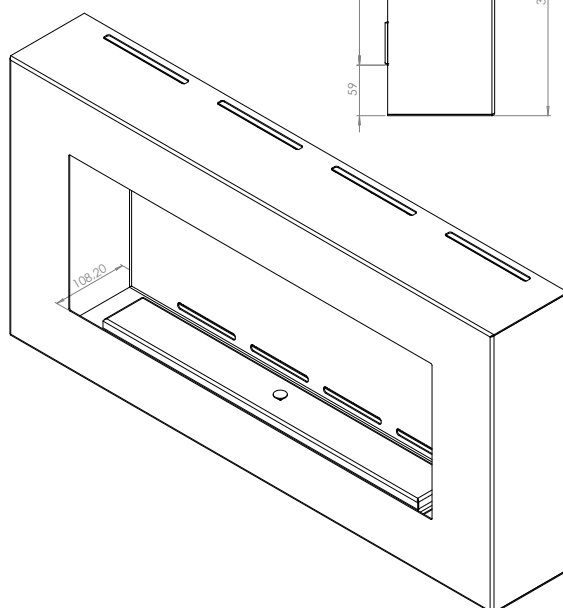
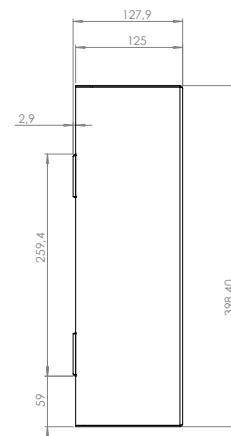
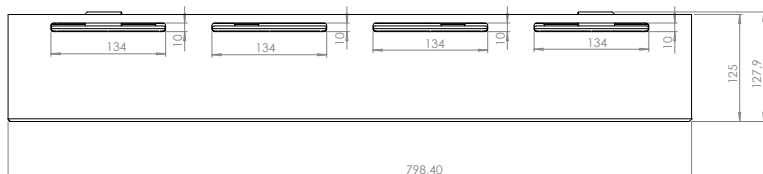
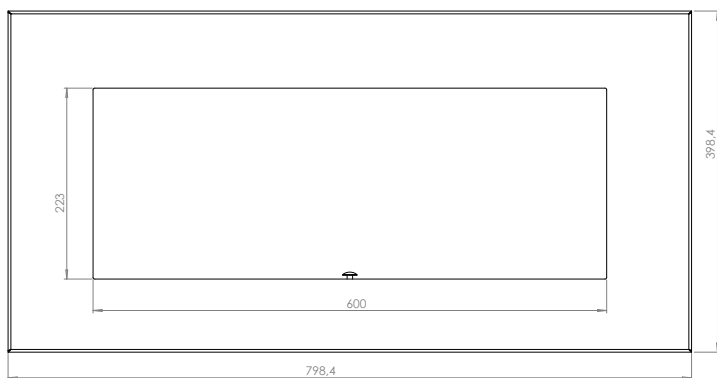
NATURAL HEATING

PRODUCT INFORMATION

- Smoke and soot free
- No chimney connection needed
- Emits soft light and heat
- Biocontainer and saver included
- Available in three colors: black, white and red

BIOFIREPLACE AMBIENT BS-03

Type	hanging
Material	powder coated steel
Height	398,4 mm
Width	798,4 mm
Depth	125 mm
Weight	13,5 kg
Biocontainer capacity	0,7 l
Burning time	2,5 h
Fuel	bioethanol



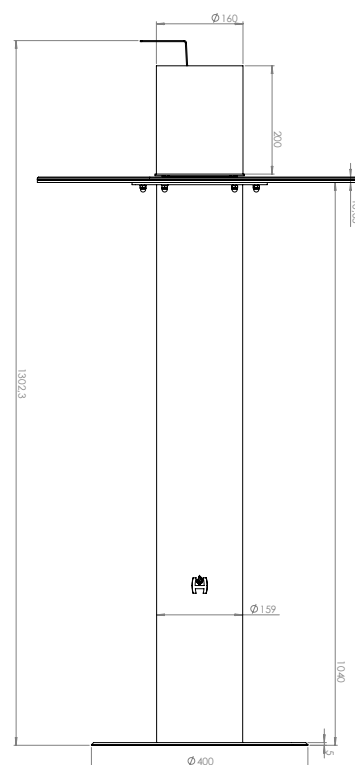
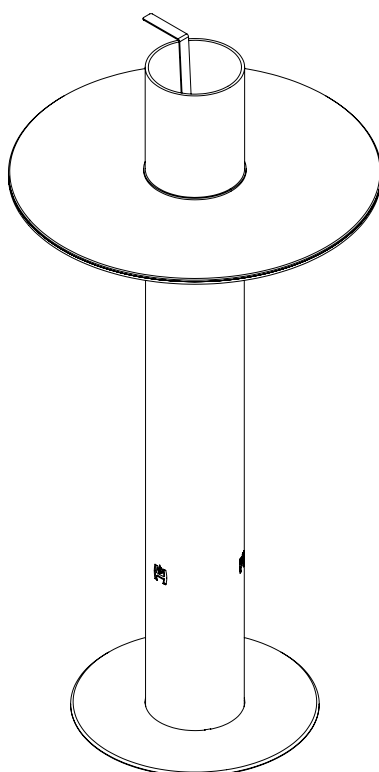
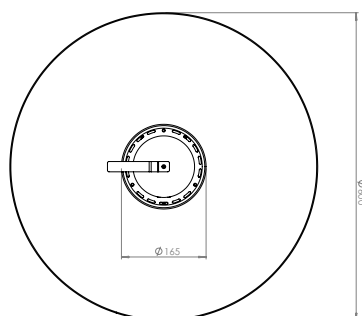
NATURAL HEATING

PRODUCT INFORMATION

- Smoke and soot free
- No chimney connection needed
- Emits soft light and heat
- Biocontainer and saver included
- Available in three colors: black, white and red

BIOSTOLIK IGNIS BS-01

Type	freestanding
Table plate material	glass
Base material	powder coated steel
Fire cover material	ceramic glass
Hight	1239mm
Table plate diameter	400mm
Weight	22kg
Biocontainer capacity	1,2l
Burning time	3h
Fuel	bioethanol



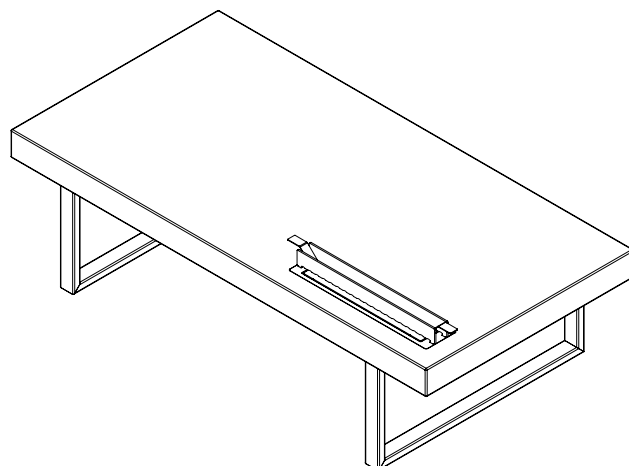
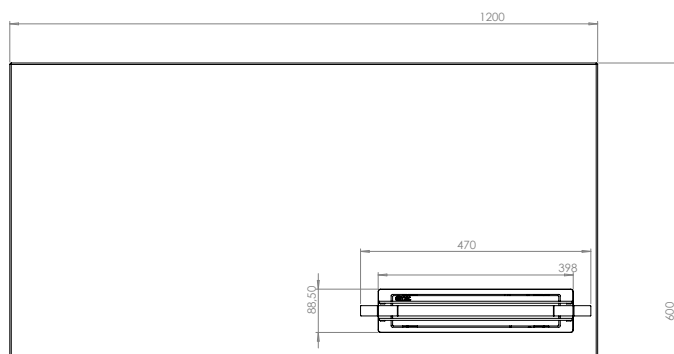
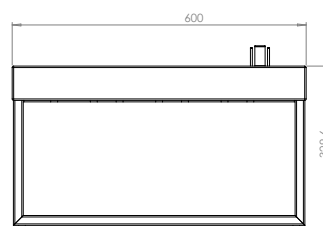
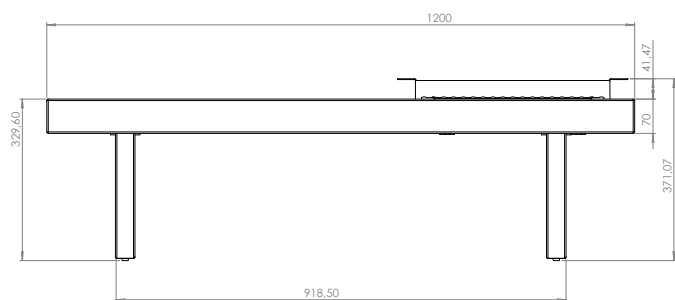
NATURAL HEATING

PRODUCT INFORMATION

- Smoke and soot free
- No chimney connection needed
- Emits soft light and heat
- Biocontainer and saver included
- Available in three colors: black, white and red

BIOTABLE PIATTO BS-03

Type	freestanding
Table plate material	MDF lacquered
Base material	coated stainless steel
Fire cover material	ceramic glass
Hight	335 mm
Width	1200 mm
Depth	600 mm
Weight	42 kg
Biocontainer capacity	1,2 l
Burning time	2 h
Fuel	bioethnaol



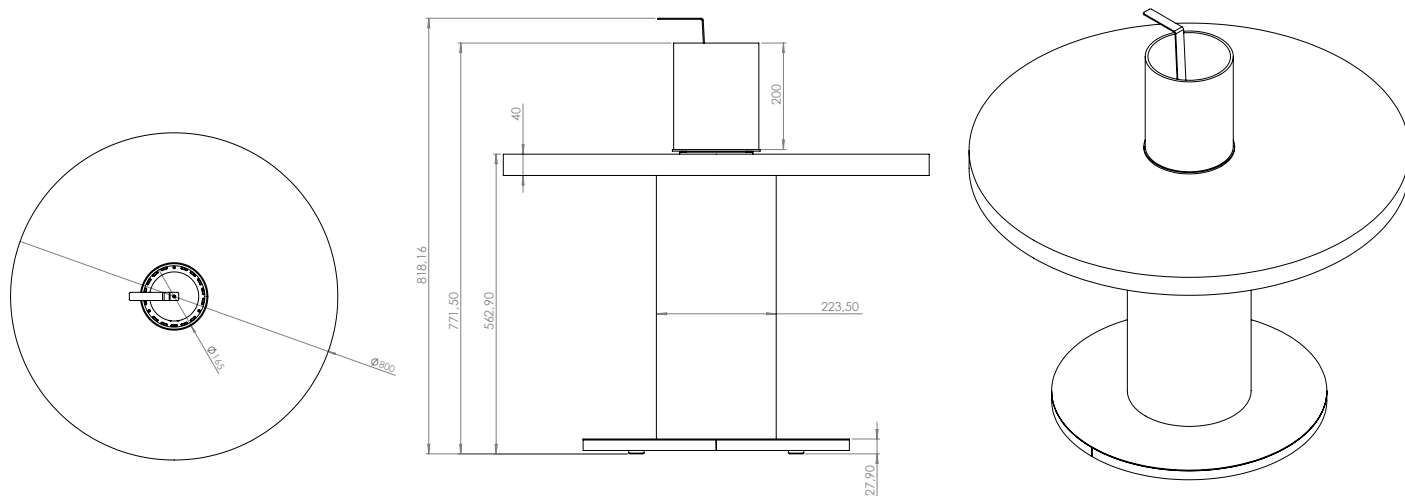
NATURAL HEATING

PRODUCT INFORMATION

- Smoke and soot free
- No chimney connection needed
- Emits soft light and heat
- Biocontainer and saver included
- Available in three colors: black, white and red

BIOSTOLIK RULLO BS-02

Type	freestanding
Table plate material	MDF lacquered
Base material	coated stainless steel
Fire cover material	ceramic glass
Hight	770 mm
Table plate diameter	800 mm
Weight	42 kg
Biocontainer capacity	0,8 l
Burning time	3 h
Fuel	Bioethanol



NATURAL HEATING

PRODUCT INFORMATION

- Smoke and soot free
- No chimney connection needed
- Emits soft light and heat
- Biocontainer and saver included
- Available in three sizes: small, medium and standard

BIOTORCH BP-01	BP-01S	BP-01M	BP-01SM
Type	hanging	hanging	hanging
Material	powder coated steel	powder coated steel	powder coated steel
Height	865 mm	705 mm	540 mm
Diameter	159 mm	130 mm	100 mm
Weight	6 kg	3 kg	1,7 kg
Biocontainer capacity	1 l	0,5 l	0,3 l
Burning time	3 h	3 h	3 h
Fuel	bioethanol	bioethanol	bioethanol

